
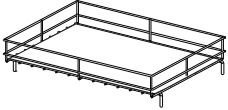

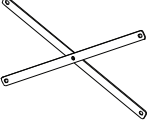


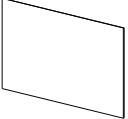



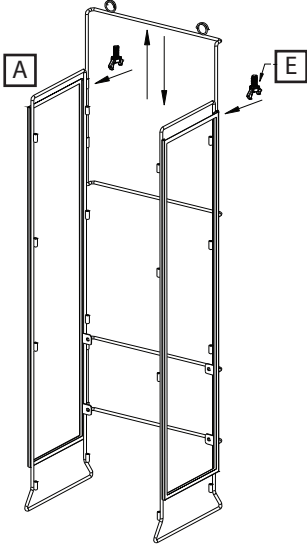
Q Mixers Wire Rack - Assembly Instructions



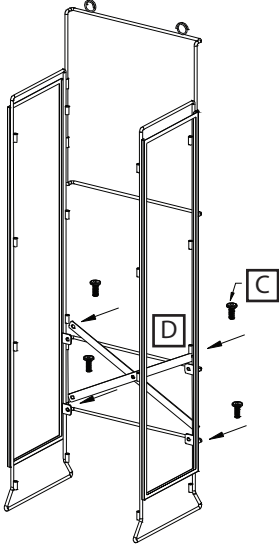
Scan the QR code or visit the web address directly to view the **assembly video**: tmaksinc.com/instructions_17778

<p>A</p>  <p>Body</p>	<p>B</p>  <p>Shelves</p>
<p>C</p>  <p>Bolts</p>	<p>D</p>  <p>X-Brace</p>
<p>E</p>  <p>Wingnut Bolts</p>	<p>F</p>  <p>Tool</p>
<p>G</p>  <p>Header Graphic</p>	<p>H</p>  <p>Side Graphics</p>

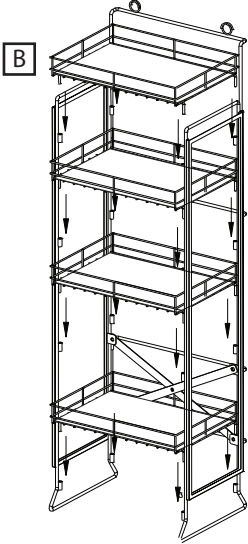
1 Open up (A) Body. Install (E) Wingnut Bolts at header frame to lock it in at desired height.



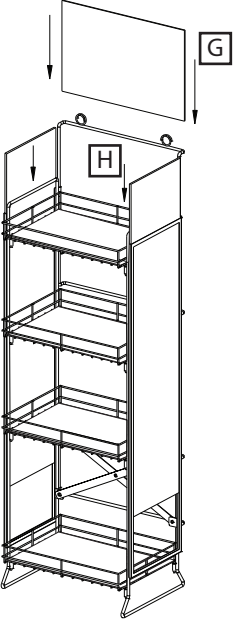
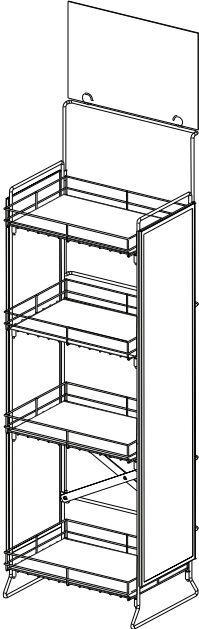
2 Attach (D) X-Brace to (A) Body using x4 (C) Bolts and tighten with (F) Tool.



3 Insert (B) Shelves.



4 Install (G) Header Graphic and (H) Side Graphics.

Q Mixers Wire Rack - Assembly Instructions

Scan the QR code or visit the web address directly to view the **assembly video**: tmaksinc.com/instructions_17778



MISSING PARTS / DAMAGE CLAIM INSTRUCTIONS

1. DO NOT discard the box or original packaging.

In the case of damaged goods caused by shipping, photo evidence will be required.

2. Take photos of the box & markings.

A photo of the markings (text) on the side of the box is required for all cases in which a replacement part is needed. This helps to identify the item number and ensures the correct parts are pulled.

3. Take photos of damage (if applicable).

A photo of the damaged part(s) is always required to file a claim and expediently process the replacement part. Please make sure you keep the box even if it is damaged.

4. Send an email with the images requested.

Email a description of the claim along with the images required above at displaybuilds.com/contact or directly to help@displaybuilds.com. Call our toll-free number 1-866-308-8368 for further assistance.