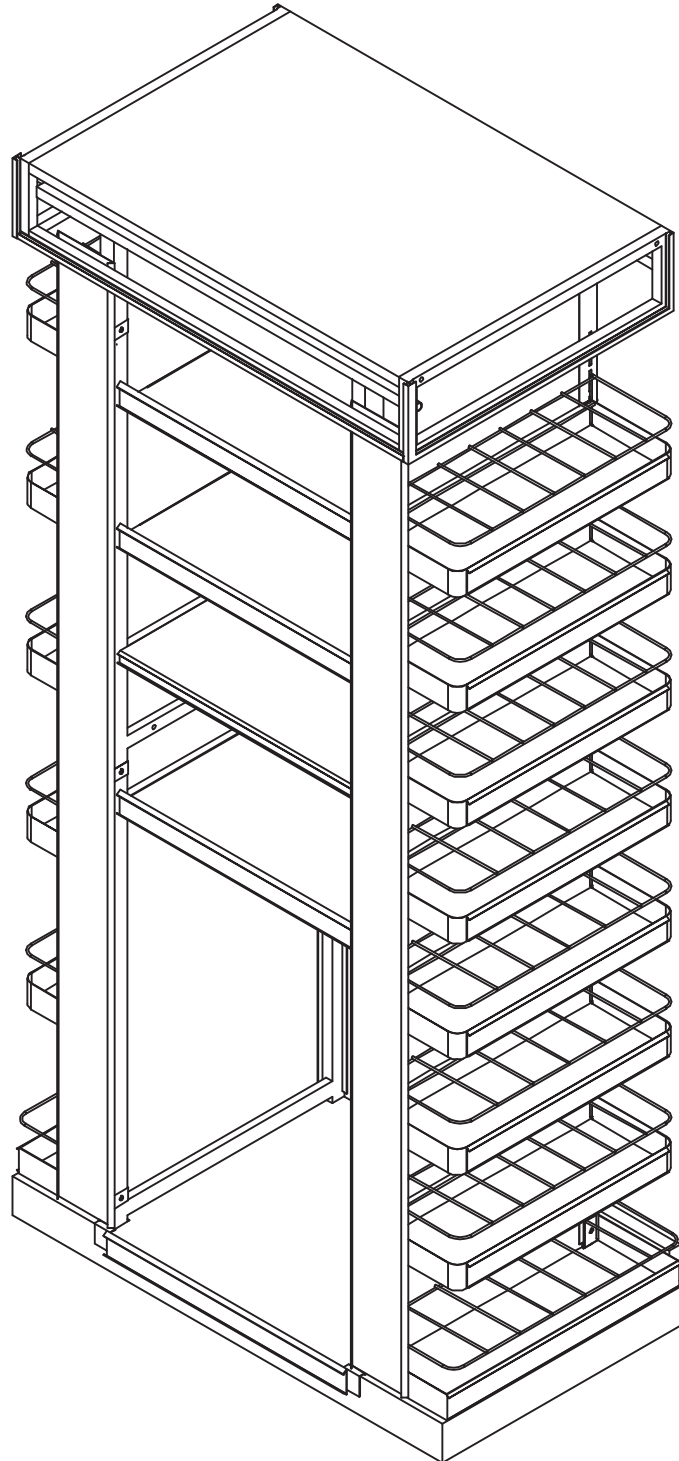


INSTRUCTION MANUAL COCA-COLA/ DOLLAR GENERAL 3D END CAP DISPLAY



COCA-COLA / DOLLAR GENERAL 3D END CAP DISPLAY

INDEX

PACKING LIST	3
POS PARTS LIST CONT.	4
HEADER ASSEMBLY.	4
DISPLAY ASSEMBLY.	5
DISPLAY ASSEMBLY.	6
BEACON INFO	7
COOLER SHELF ASSEMBLY.	8
PARTS AND SERVICE	9

TOOLS NEEDED

- Phillips Head Screw Driver
- 3/8" Wrench
- Box Cutter / Slotted Blade Knife

GENERAL INFO

This product ships unassembled.

Carefully remove each piece of the product and any accessories from the box. Make sure all items listed on the packing list are included.

Inspect all parts carefully to make sure no damage has occurred during shipping.

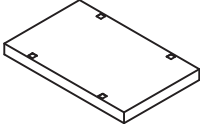
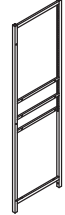
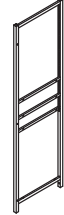
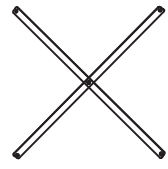
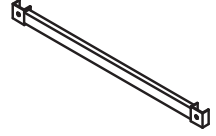
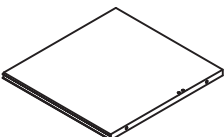
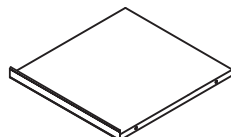
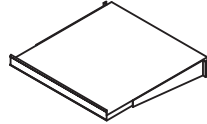
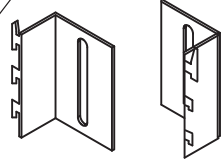
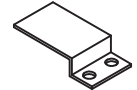
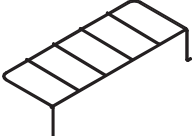
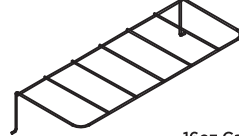
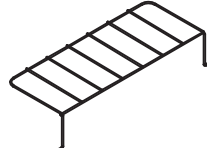
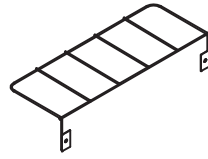
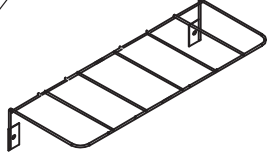
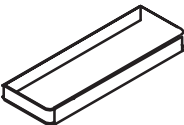
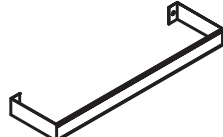
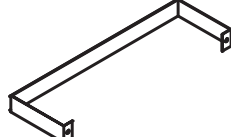


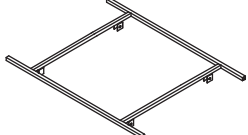
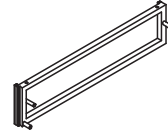
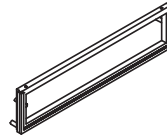

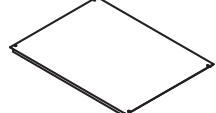
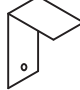



If any parts are damaged or missing, please call our Customer Service Care Line at 1-866-308-8368.

**INSTALLATION MANUAL TO BE LEFT WITH STORE MANAGER AFTER INSTALLATION IS COMPLETED.
END CAP DISPLAY REPLACEMENT PARTS ORDER FORM IS SEEN ON PAGE 9.**

COCA-COLA / DOLLAR GENERAL 3D END CAP DISPLAY

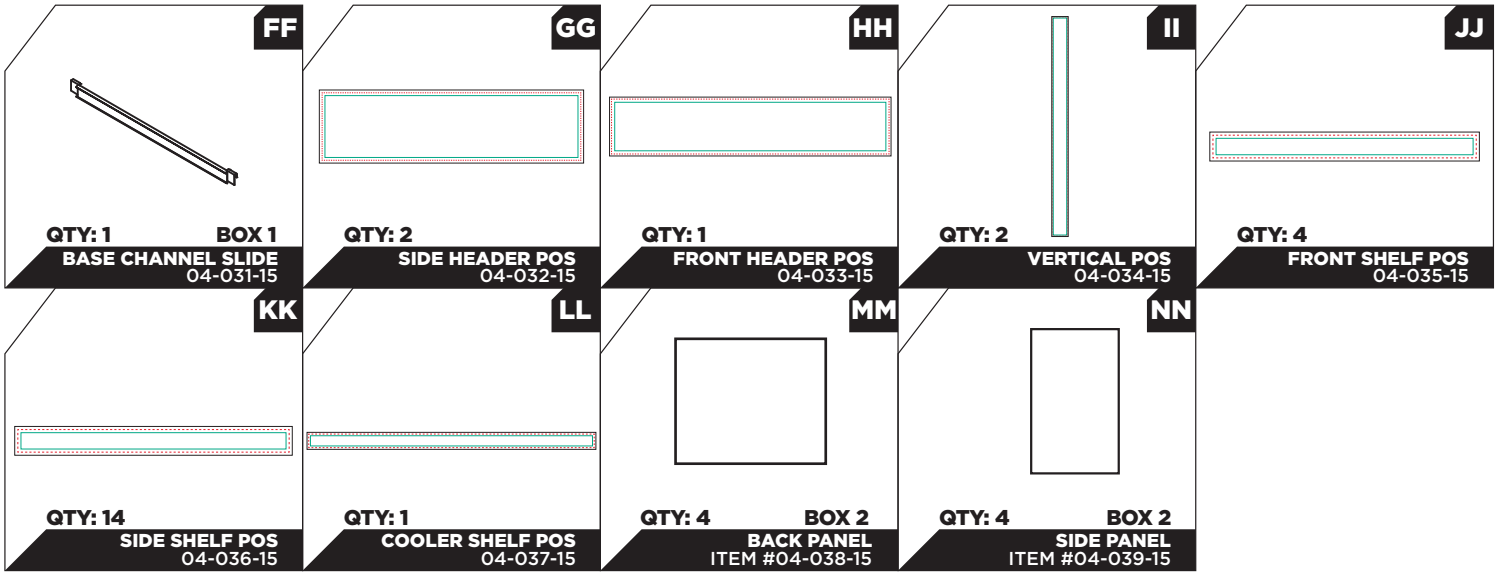
PARTS LIST

NOTE: ALL COMPONENTS ARE IN 2 BOXES

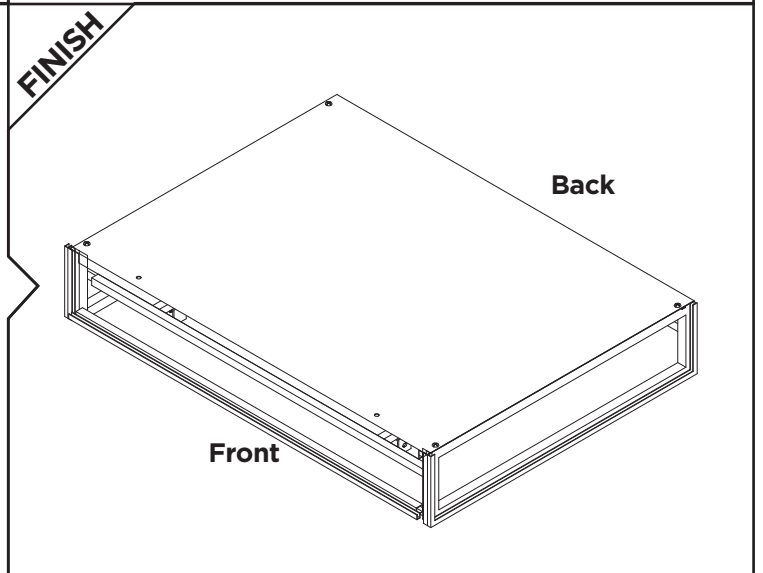
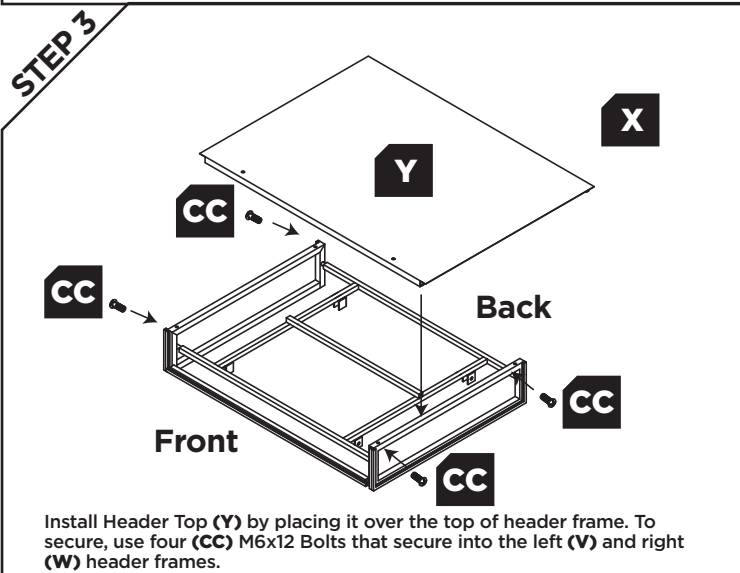
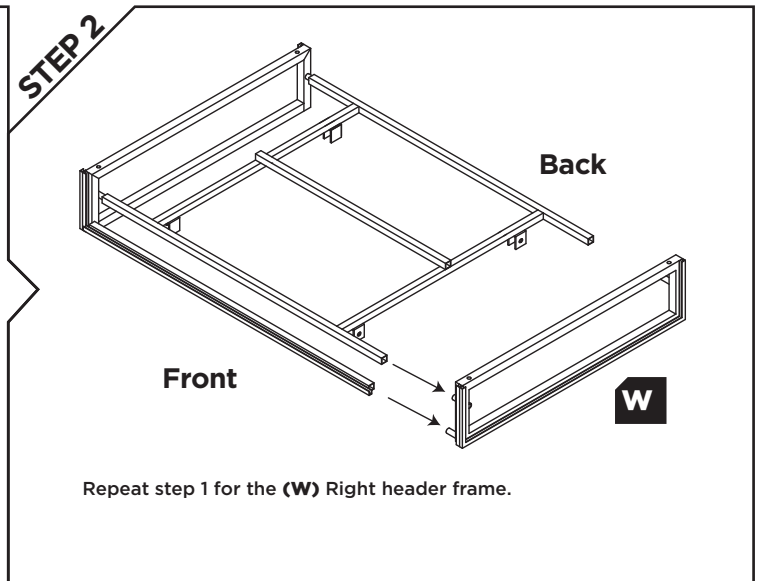
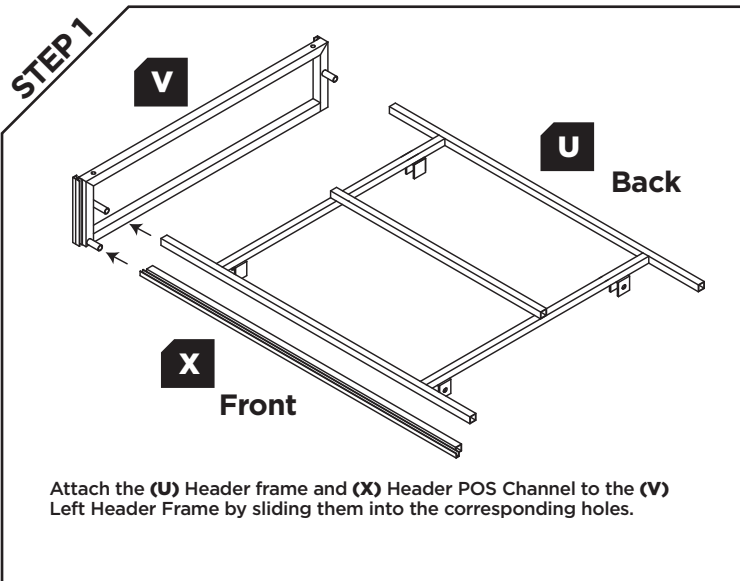
<p>A</p>  <p>QTY: 1 BOX 1 BASE ITEM #04-001-15</p>	<p>B</p>  <p>QTY: 1 BOX 2 LEFT SIDE FRAME ITEM #04-002-15</p>	<p>C</p>  <p>QTY: 1 BOX 2 RIGHT SIDE FRAME ITEM #04-003-15</p>	<p>D</p>  <p>QTY: 2 BOX 1 X-BRACE ITEM #04-004-15</p>	<p>E</p>  <p>QTY: 2 BOX 2 BASE FRAME BAR ITEM #04-005-15</p>
<p>F</p>  <p>QTY: 1 BOX 2 COOLER SHELF ITEM #04-006-15</p>	<p>G</p>  <p>QTY: 1 BOX 2 FRIDGE PACK SHELF ITEM #04-007-15</p>	<p>H</p>  <p>QTY: 2 BOX 2 ADJUSTABLE SHELF ITEM #04-008-15</p>	<p>I</p>  <p>QTY: 1 SET BOX 1 GONDOLA HOOK ITEM #04-009-15</p>	<p>J</p>  <p>QTY: 2 BOX 1 COOLER LOCK ITEM #04-010-15</p>
<p>K</p>  <p>QTY: 3 BOX 1 1.25L Bottles 5 SLOT DIVIDER ITEM #04-011-15</p>	<p>L</p>  <p>QTY: 7 BOX 1 16oz Cans 6 SLOT DIVIDER ITEM #04-012-15</p>	<p>M</p>  <p>QTY: 2 BOX 1 355mL Coca Cola Bottle 7 SLOT DIVIDER ITEM #04-013-15</p>	<p>N</p>  <p>QTY: 1 BOX 1 LEFT BASE DIVIDER ITEM #04-014-15</p>	<p>O</p>  <p>QTY: 1 BOX 1 RIGHT BASE DIVIDER ITEM #04-015-15</p>
<p>P</p>  <p>QTY: 12 BOX 1 SIDE SHELVES ITEM #04-016-15</p>	<p>Q</p>  <p>QTY: 1 BOX 1 RIGHT BASE SHELF ITEM #04-017-15</p>	<p>R</p>  <p>QTY: 1 BOX 1 LEFT BASE SHELF ITEM #04-018-15</p>	<p>S</p>  <p>QTY: 1 BOX 2 L. VERTICAL POS FRAME ITEM #04-019-15</p>	<p>T</p>  <p>QTY: 1 BOX 2 R. VERTICAL POS FRAME ITEM #04-020-15</p>
<p>U</p>  <p>QTY: 1 BOX 1 HEADER FRAME ITEM #04-021-15</p>	<p>V</p>  <p>QTY: 1 BOX 2 LEFT HEADER FRAME ITEM #04-022-15</p>	<p>W</p>  <p>QTY: 1 BOX 2 RIGHT HEADER FRAME ITEM #04-023-15</p>	<p>X</p>  <p>QTY: 1 BOX 1 HEADER POS CHANNEL ITEM #04-024-15</p>	<p>Y</p>  <p>QTY: 1 BOX 1 HEADER TOP ITEM #04-025-15</p>
<p>Z</p>  <p>QTY: 4 BOX 1 FRONT SHELF SUPPORT ITEM #04-026-15</p>	<p>AA</p>  <p>QTY: 4 BOX 1 SCREW ITEM #04-027-15</p>	<p>BB</p>  <p>QTY: 15 BOX 1 M6-30 BOLT ITEM #04-028-15</p>	<p>CC</p>  <p>QTY: 33 BOX 1 M6-12 BOLT ITEM #04-029-15</p>	

COCA-COLA / DOLLAR GENERAL 3D END CAP DISPLAY

POS PARTS



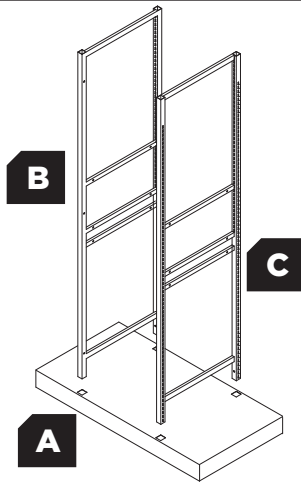
HEADER ASSEMBLY



COCA-COLA / DOLLAR GENERAL 3D END CAP DISPLAY

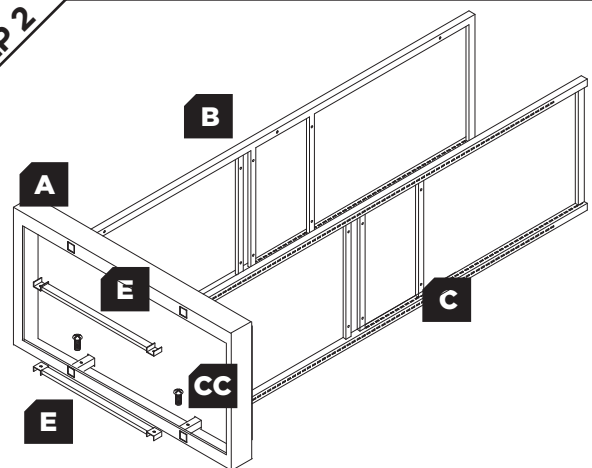
DISPLAY ASSEMBLY

STEP 1



Install the (B) Left and (C) Right Frame onto the (A) Base by sliding them into the four holes located on the (A) Base.

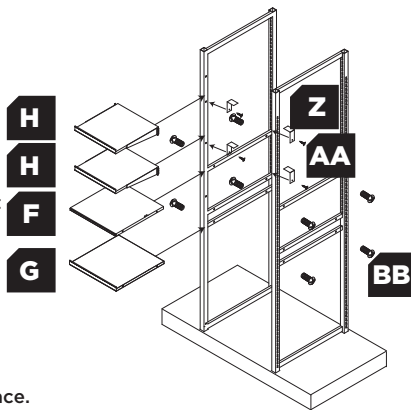
STEP 2



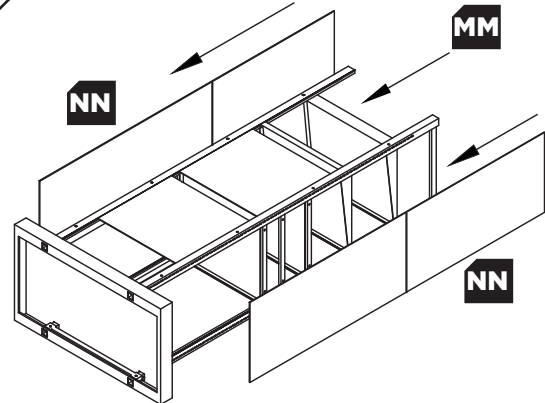
Secure the Side Frames (B), (C) onto the (A) Base attaching the two (E) Base Frame Bars to the left and right Side Frames using four (CC) M6-12 bolts.

STEP 3

- Install the (F) Cooler Shelf at the top fixed shelf location on the left and right Side Frames using eight (BB) M6-30 bolts to secure the Cooler Shelf into place.
- Install the (G) Fridge Pack Shelf at the top fixed shelf location on the left and right side frames using eight (BB) M6-30 bolts to secure the Fridge Pack Shelf into place.
- Install the (Z) Front Shelf Supports by locating the holes along the left and right side frames positioned above the (F) Cooler Shelf. Secure (Z) Front Shelf Supports by using one (AA) Screw.
- Install the (H) Adjustable Shelf just above the (Z) Front Shelf Supports by sliding them into the notches located in the rear of the side frames.

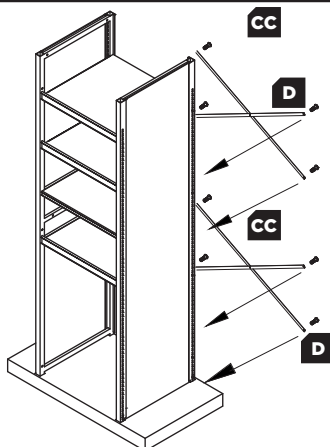


STEP 4



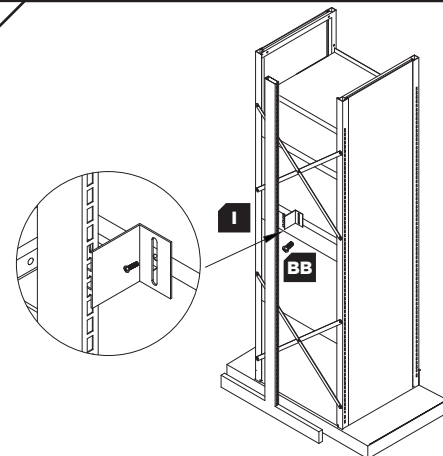
With the display laying face down, insert two of the four (MM) Back Panels into place along with the four (NN) Side Panels.

STEP 5



With the display standing, attach two (D) X-Brace to the back of the display by securing them with eight (CC) M6-12 bolts to the (B) left and (C) right side frames.

STEP 6

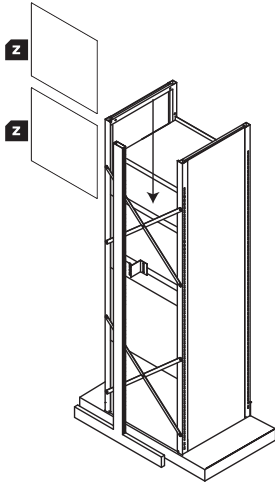


Attach the (I) Gondola Hook set onto the left and right sides of the Gondola. Then proceed to move the display close to the Gondola to secure the (I) Gondola Hook to the back of the (F) Cooler shelf by using two (BB) M6-30 Bolts.

COCA-COLA / DOLLAR GENERAL 3D END CAP DISPLAY

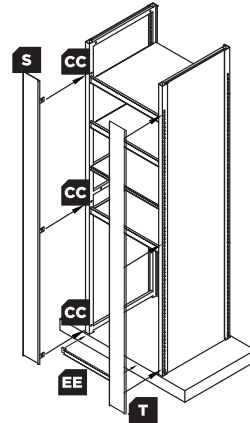
DISPLAY ASSEMBLY

STEP 7



Place the remaining two (Z) Back Panels into the channels located on the back of the display.

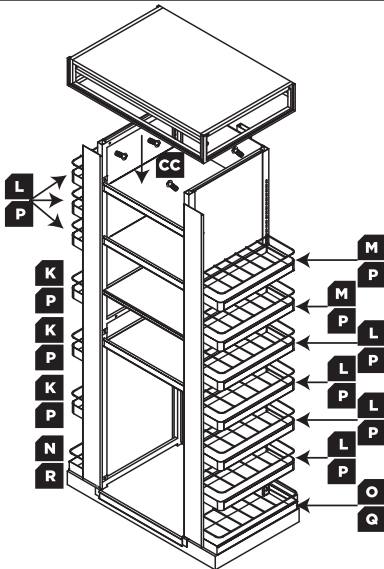
STEP 8



Install (EE) Base Channel Slide by sliding down into the front side frame slots located at the base of the display. **NOTE:** Make sure there is space between the frame and the base before installing.

Install (S), (T) Vertical POS Channels by placing them against the front of the (B), (C) Side frame. Once placed line up the tabs with the (3) holes located on the side frames. Use six (CC) M6-12 bolts to secure in place.

STEP 9



STEP 9

Install (R), (Q) Base Shelves by bolting four (CC) M6-12 bolts into the lowest slot located on the side frame.

Then place (N) Left Base Divider into place on left shelves and (O) Right Base Divider on the right shelf to complete base side shelves.

Add remaining twelve (P) Shelves five on the left side, 7 on the right side and dividers (K), (L) and (M) to the left and right sides of the display.

Add the assembled header to the display by placing it over the top of the two side frames (B), (C) and locking it into place using four (CC) M6-12 bolts.



EXAMPLE ONLY; GRAPHICS & POG MAY DIFFER

TOLL FREE CUSTOMER SERVICE CARE: 1-866-308-8368 | help@displaybuilds.com

URGENT!

PLEASE SEE RED ENVELOPE FOR BEACON INSTRUCTIONS.



EXAMPLE ONLY; GRAPHICS & POG MAY DIFFER

COCA-COLA / DOLLAR GENERAL 3D END CAP DISPLAY

COOLER SHELF ASSEMBLY

STEP 1

Remove the header by removing four **(CC)** M6-12 bolts from the Right and Left Side Frames.
Remove two **(MM)** Back Panel and four **(NN)** Side Panels.
Remove the Bolt **(BB)** M6-30 from the **(I)** Gondola Hook set located at the rear of the display.

STEP 2

Move the display away from the Gondola and remove the side shelves covering the **(BB)** M6-30 bolts from the Right and Left Side Frames.
Remove two **(H)** Adjustable Shelves and the four **(Z)** Front Shelf Supports then remove **(BB)** M6-30 bolts holding the two **(F)** Cooler Shelf and **(G)** Fridge Pack Shelves.

STEP 3

Add **(F)** Cooler Shelf to the desired location.
MIDDLE: GS3 Cooler
TOP: GS2.5 Cooler
Place desired cooler onto shelf and secure the cooler to shelf using two **(J)** Cooler Locks.

STEP 4

Hook the **(I)** Gondola hook onto the Gondola and secure it using one **(BB)** M6-30 Bolt and **(DD)** M6 Nut.
Add two **(MM)** Back Panel and four **(NN)** Side Panels.
Add the header by securing the four **(CC)** M6-12 bolts through the header onto the Right and Left Side Frames.



EXAMPLE ONLY; GRAPHICS & POG MAY DIFFER

COCA-COLA / DOLLAR GENERAL 3D END CAP DISPLAY

REFRESH GRAPHICS

FRONT 1

WITH COOLER:

(1). **Narrow strip removal** - Remove header from the top of the display. Then start removal of black Side Panel from both sides of the display exposing the screws for the Cooler Shelf. (**Note: You may need to remove a side shelf or two.**) Remove cooler from display by removing the two Cooler Lock tabs located at the rear of the shelf. Once cooler has been removed unscrew four M6-30 bolts from both sides of the cooler shelf to remove shelf and gain access to the shelf strip. Replace narrow strip to updated refresh graphics shown in the illustration.

Now replace the Shelf and screw Bolts into place. Add Cooler and Cooler Locks back onto the display and any shelves that have been removed. Replace the Side Panels into their previous places.

(2). **Vertical POS panels** - With header removed replace Vertical POS panels by sliding out from the top. Insert refresh vertical panels into the top and slide down. Now replace the header onto the top of the display.

(3). **Window cling** - replace Window Cling on Cooler, adhering new cling to the outside bottom of the window.

(4). **Base Channel Slide** - replace Channel Slide on base with updated refresh graphics shown in the illustration.

SIDES

BOTH CONFIGURATIONS:
(1) Replace side shelf channel strips with corresponding size and price as shown below.

2. Vertical POS Panels

**REFERENCE
MOST RECENT
GRAPHICS REFRESH
INSTRUCTIONS FOR
CORRECT PRICING
& POG**

1. Narrow Strip \$4.80

2. Vertical POS Panels

3. Window Cling \$4.80

4. Base Channel \$4.80

5Slot divider \$1

6Slot divider \$1.50

7Slot divider \$1.20

COCA-COLA / DOLLAR GENERAL 3D END CAP DISPLAY

REFRESH GRAPHICS

FRONT 2

WITHOUT COOLER:

(1). **Narrow strip / 12pk Shelf removal** - Remove header from the top of the display. Then start removal of black Side Panel from both sides of the display exposing the screws for the Cooler Shelf. (**Note: You may need to remove a side shelf or two.**) Remove cooler from display by removing the two Cooler Lock tabs located at the rear of the shelf. Once cooler has been removed unscrew four M6-30 bolts from both sides of the cooler shelf to remove shelf and gain access to the shelf strip. Replace narrow strip to updated refresh graphics shown in the illustration.

Remove the 12pk Shelf also by unscrewing all four M6-30 Bolts that hold the shelf in place. Remove any Side Shelves that may be blocking the access to the bolts as needed. Remove 12pk shelf and change the graphics to the updated refresh graphics shown in the illustration.

Now replace the Shelf and screw Bolts into place. Add Cooler and Cooler Locks back onto the display and any shelves that have been removed. Replace the Side Panels into their previous places.

(2). **Vertical POS panels** - With header removed replace Vertical POS panels by sliding out from the top. Insert refresh vertical panels into the top and slide down. Now replace the header onto the top of the display.

(3). **Adjustable Center Shelf Strips** - Remove Adjustable Shelves by unhooking from the back of the display frame. Remove Shelf Strip and replace with the new refresh graphic strip shown in the illustration. Replace shelves to the positions they were removed.

(4). **Base Channel Slide** - replace Channel Slide on base with updated refresh graphics shown in the illustration.

SIDES
 BOTH CONFIGURATIONS:
 (1) Replace side shelf channel strips with corresponding size and price as shown below.

2. Vertical POS Panels

3. Adjustable Center Shelf

95¢

3. Adjustable Center Shelf

95¢

95¢

1. Narrow Strip

\$4.80

1. 12pk Shelf

4. Base Channel

\$4.80

REFERENCE MOST RECENT GRAPHICS REFRESH INSTRUCTIONS FOR CORRECT PRICING & POG

