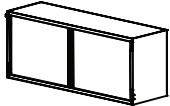

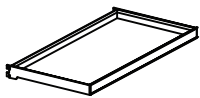

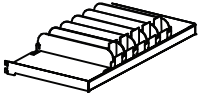


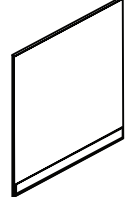
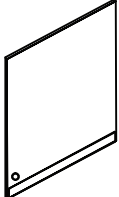

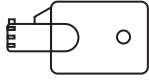
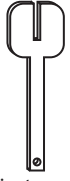


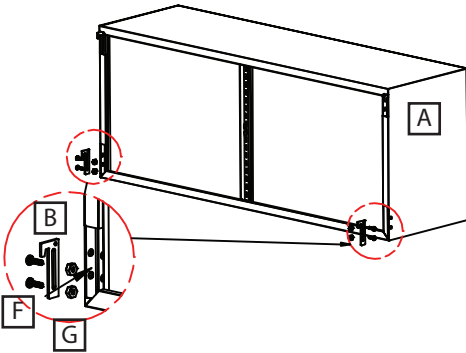
OTP DISPLAY - Assembly Instructions



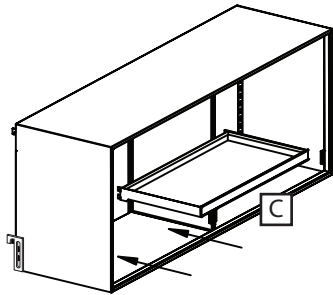
Scan the QR code or visit the web address directly to view the **assembly video**: displaybuilds.com/instructions_17784

<p>A</p>  <p>Display Body</p> <p>1</p>	<p>B</p>  <p>Adjustable Bracket</p> <p>2</p>
<p>C</p>  <p>Left Side Shelf</p> <p>1</p>	<p>D</p>  <p>Right Top Shelf</p> <p>1</p>
<p>E</p>  <p>Right Middle Shelf</p> <p>1</p>	<p>F</p>  <p>M6x20 Bolt</p> <p>4</p>
<p>G</p>  <p>M6 Nut</p> <p>4</p>	<p>H</p>  <p>Left Door Pane</p> <p>1</p>
<p>I</p>  <p>Right Door Pane</p> <p>1</p>	<p>J</p>  <p>Tool</p> <p>1</p>
<p>K</p>  <p>Key</p> <p>1</p>	<p>L</p>  <p>Bracket Adjustment Tool</p> <p>1</p>

1 Adjustable Hook Assembly: Install (B) Adjustable Bracket onto (A) Display Body on the outside of the Display Body. Secure with a (G) M6 Nut and (F) M6x20 Bolt and **hand tighten** to retain adjustability. Repeat for opposite side.



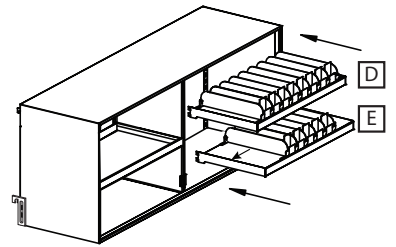
2 Left Shelf Assembly: Install (C) Left Side Shelf into the slots provided at the rear of the display.



3 Right Shelves Assembly: Move (E) Right Middle Shelf pushers and dividers from the center to the left side of the shelf by sliding them along the channels. Then install in desired location by hooking the rear brackets of the shelves in to the slots provided at the rear of the display.

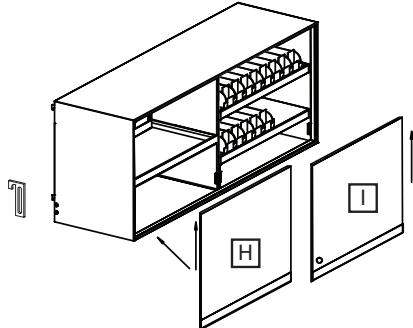
Install (D) Right Top Shelf above (E) Right Middle Shelf by following the above instructions.

NOTE: When moving the pushers and dividers if one unclips from the channel you can snap it back on by pressing the grooves down onto the channel.



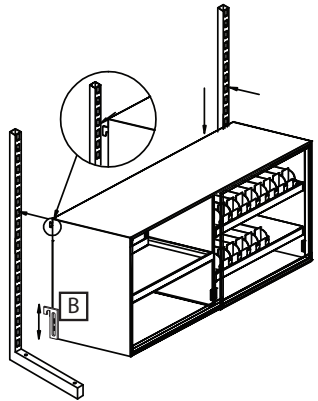
4 Door Assembly: Peel protective film off both doors. Install (H) Left Door Pane first by placing it in the rear channel. Look for the sweet spot to install the door located in the middle of display. Door will pop into place and glide easily.

Now install the (I) Right Door Pane the same way but by placing it into the front channel. **NOTE: Right Door Frame has the locking system and belongs on the right side of the display.**



5 Hanging Instructions: Attach the top hooks to the gondola first. Once both sides are hooked into the gondola, move the (B) Adjustable Bracket to align with the gondola, hook into slots, and tighten with (J) Tool so the display becomes stable.

NOTE: If the top hooks do not align with the gondola use (L) Bracket Adjustment Tool to adjust the Displays top Brackets to fit the display.



ONCE FINISHED LEAVE INSTRUCTIONS WITH THE STORE MANAGER.

For Customer Service or Parts, please call our toll free number 1-866-308-8368 or email parts@tmaksinc.com.

OTP DISPLAY - Assembly Instructions

Scan the QR code or visit the web address directly to view the **assembly video**: displaybuilds.com/instructions_17784



MISSING PARTS / DAMAGE CLAIM INSTRUCTIONS

1. **DO NOT** discard the box or original packaging.

In the case of damaged goods caused by shipping, photo evidence will be required.

2. **Take photos of the box & markings.**

A photo of the markings (text) on the side of the box is required for all cases in which a replacement part is needed. This helps to identify the item number and ensures the correct parts are pulled.

3. **Take photos of damage (if applicable).**

A photo of the damaged part(s) is always required to file a claim and expediently process the replacement part. Please make sure you keep the box even if it is damaged.

4. **Send an email with the images requested.**

Email a description of the claim along with the images required above directly to parts@tmaksinc.com. Call our toll-free number 1-866-308-8368 for further assistance.