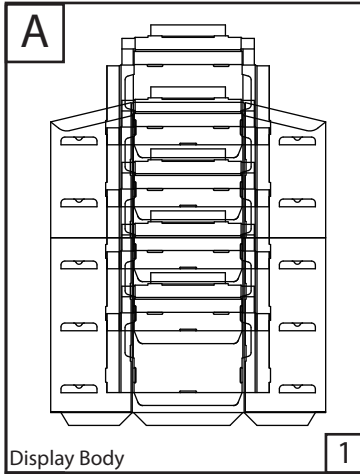


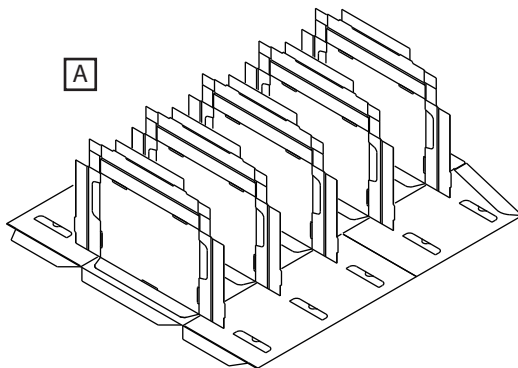
Coca-Cola DG 2020 Military Display (V01) - Assembly Instructions



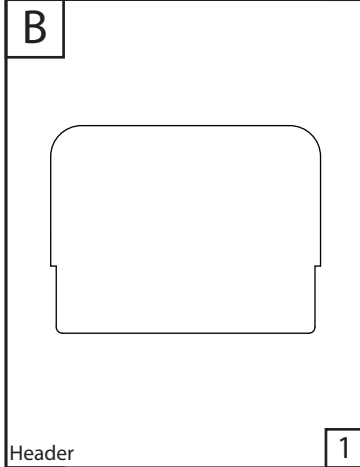
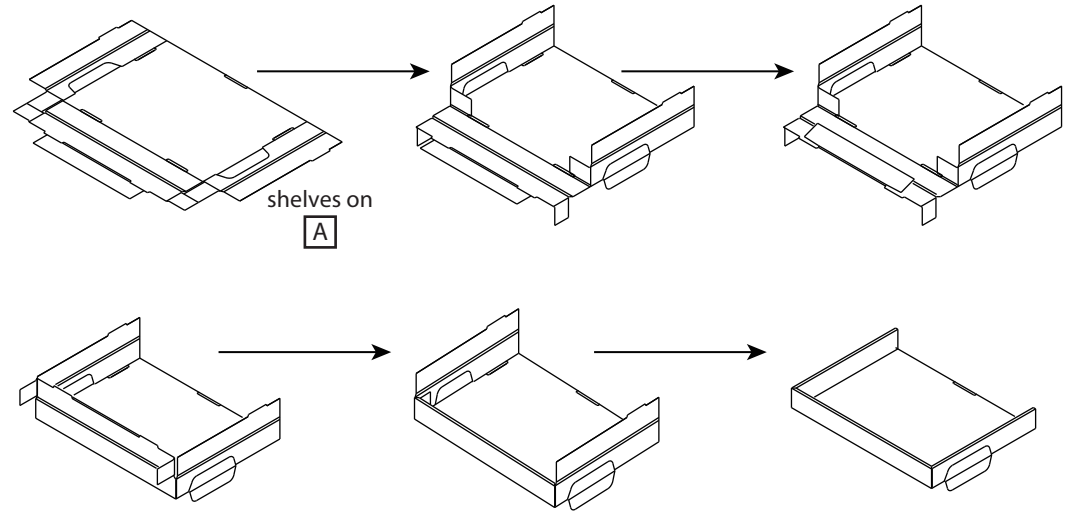
Scan the QR code or visit the web address directly to view the **assembly video**: displaybuilds.com/instructions_17869-v01



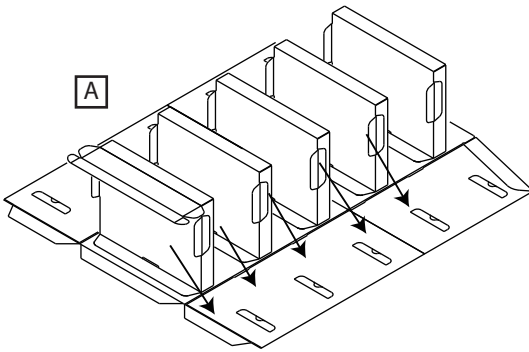
1 Lay out (A) Display Body and flip shelves upward as shown.



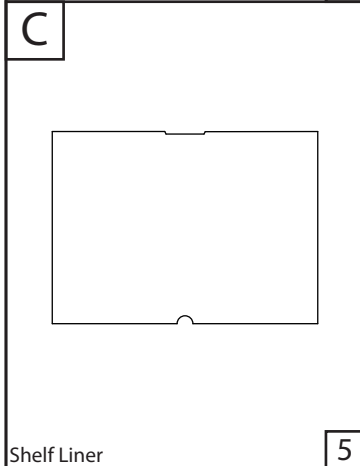
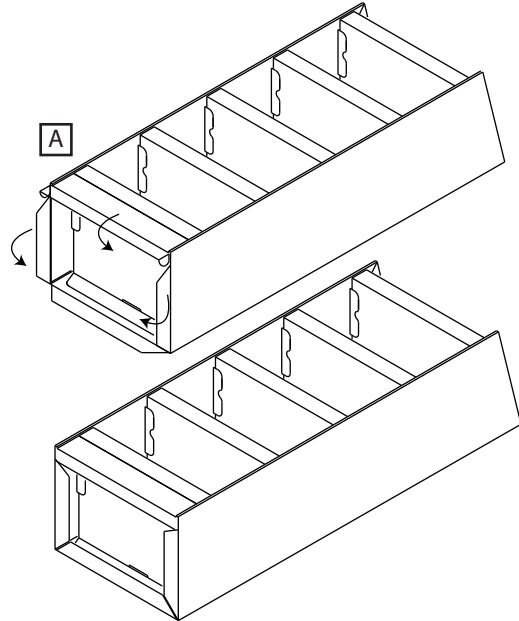
2 Construct shelves by folding as shown. Note the bottom shelf has an extra flap to serve as the base.



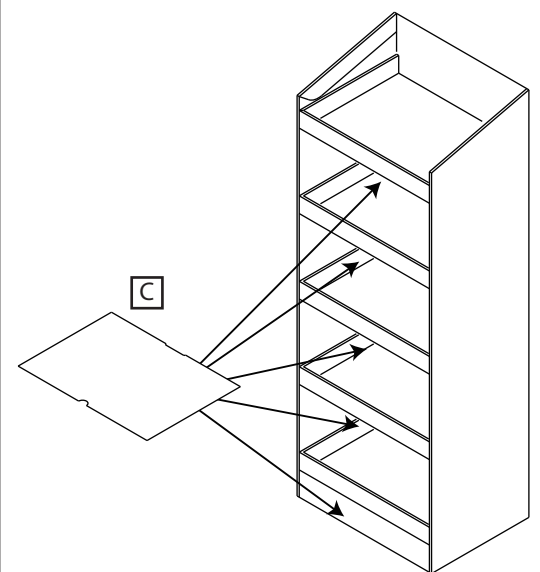
3 Fold tabs on side of shelves down, and tabs on inside of the body down. Completing one side at a time, lock each shelf into the side panels of the (A) Display Body by inserting the tabs all the way down into place.



4 Fold base flaps on the (A) Display Body under and lock the base flaps in.



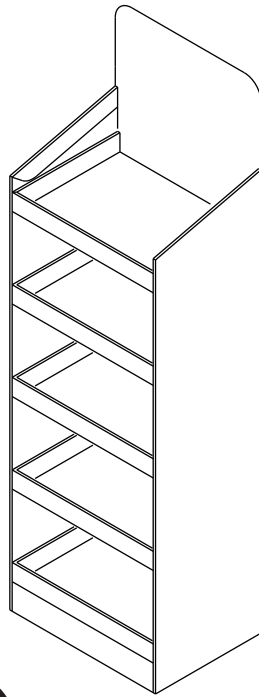
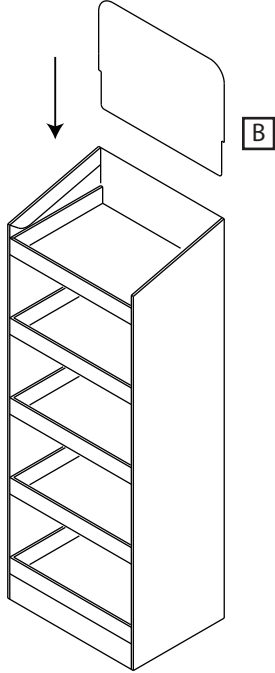
5 Insert (C) Shelf Liners into each shelf.



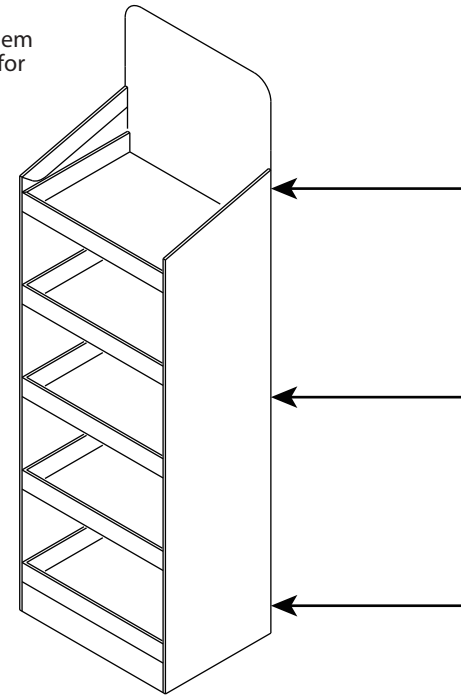
Scan the QR code or visit the web address directly to view the **assembly video**: displaybuilds.com/instructions_17869-v01



6 Install (B) Header.



i To install two displays back to back, position them into place and clip them together on the sides, using 3 clips for each side.



MISSING PARTS / DAMAGE CLAIM INSTRUCTIONS

1. **DO NOT** discard the box or original packaging.

In the case of damaged goods caused by shipping, photo evidence will be required.

2. Take photos of the box & markings.

A photo of the markings (text) on the side of the box is required for all cases in which a replacement part is needed. This helps to identify the item number and ensures the correct parts are pulled.

3. Take photos of damage (if applicable).

A photo of the damaged part(s) is always required to file a claim and expediently process the replacement part. Please make sure you keep the box even if it is damaged.

4. Send an email with the images requested.

Email a description of the claim along with the images required above at displaybuilds.com/contact or directly to help@displaybuilds.com. Call our toll-free number 1-866-308-8368 for further assistance.