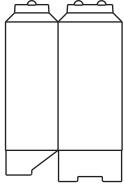
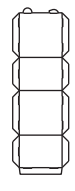
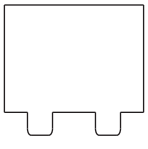
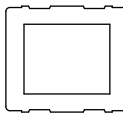


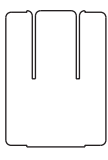
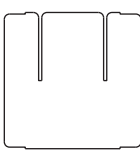
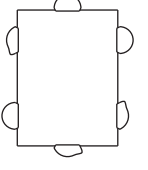
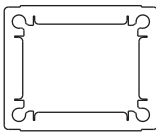
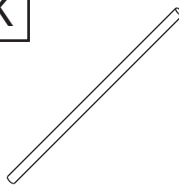
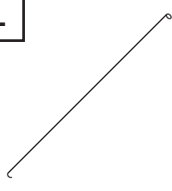


# Corrugated Pop-Up Display Assembly Instructions

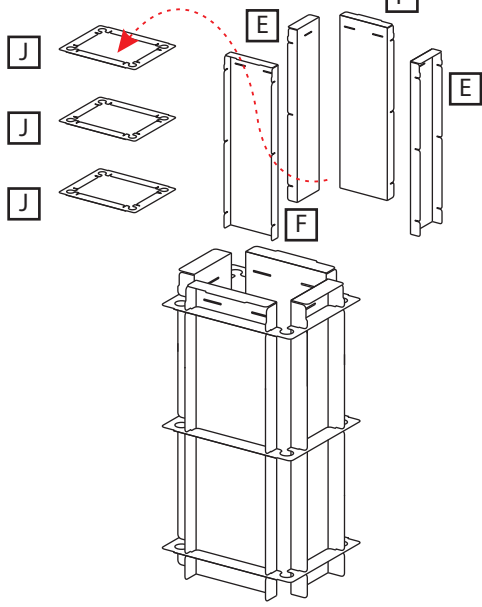


Scan the QR code or visit the web address directly to view the **assembly video**: [displaybuilds.com/corrpopup2019](http://displaybuilds.com/corrpopup2019)

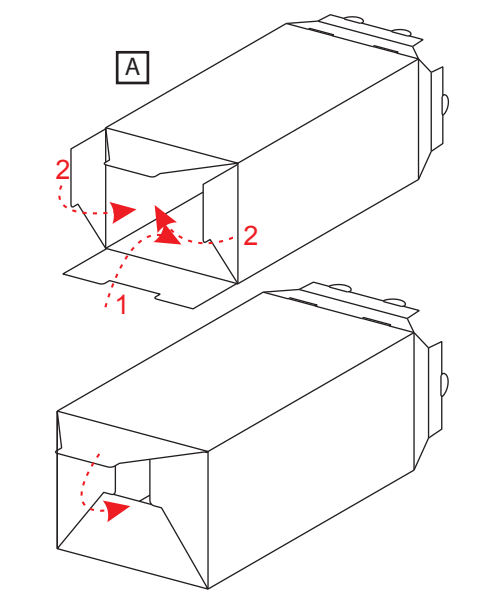


<b>A</b>  Display Body 1	<b>B</b>  Platform Box 1	<b>C</b>  Header 1	<b>D</b>  Inner Wall Support 1	<b>E</b>  Inner Side Wall-1 2	<b>F</b>  Inner Side Wall-2 2
<b>G</b>  Platform Support-1 2	<b>H</b>  Platform Support-2 2	<b>I</b>  Platform Box End 2	<b>J</b>  Pole Holder 3	<b>K</b>  Pole & Springs 4	<b>L</b>  Platform Rod 2

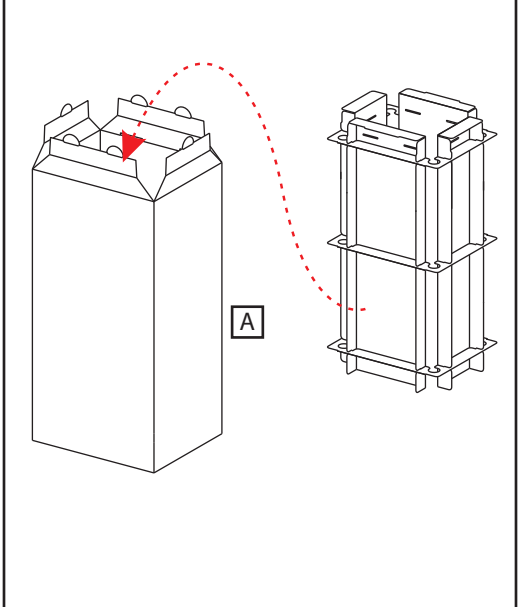
**1** Arrange (E & F) Inner Side Walls as shown and install (J) Pole Holders.



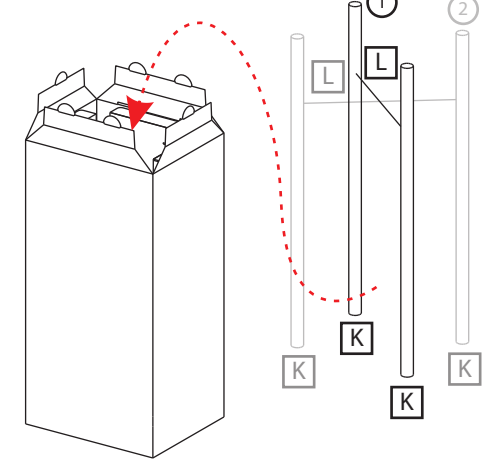
**2** Fold bottom flaps on (A) Display Body as shown and stand up with opening on top.



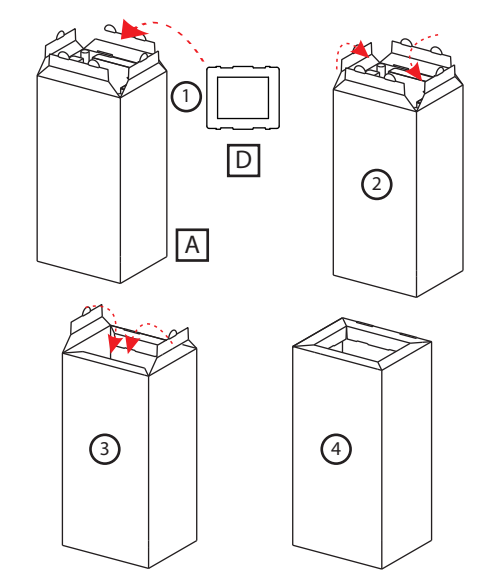
**3** Insert assembled (E & F) Inner Side Walls and (J) Pole Holders into (A) Display Body.



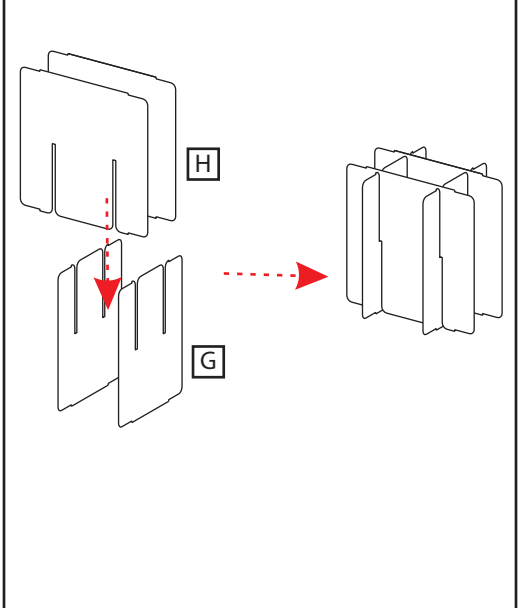
**4** (1) Insert a (L) Platform Rod into the loop at the bottom of each spring in x2 (K) Pole & Springs, and install it through opposite (J) Pole Holders within the (A) Display Body with the springs at the top. (2) Repeat for the other (L) Platform Rod and (K) Pole & Springs, inserting into the other (J) Pole Holders to form an X.



**5** Place the (D) Inner Wall Support on top of the poles, then fold in the sides of the (A) Display Body, locking each into place.



**6** Interlock the (G & H) Platform Supports as shown.



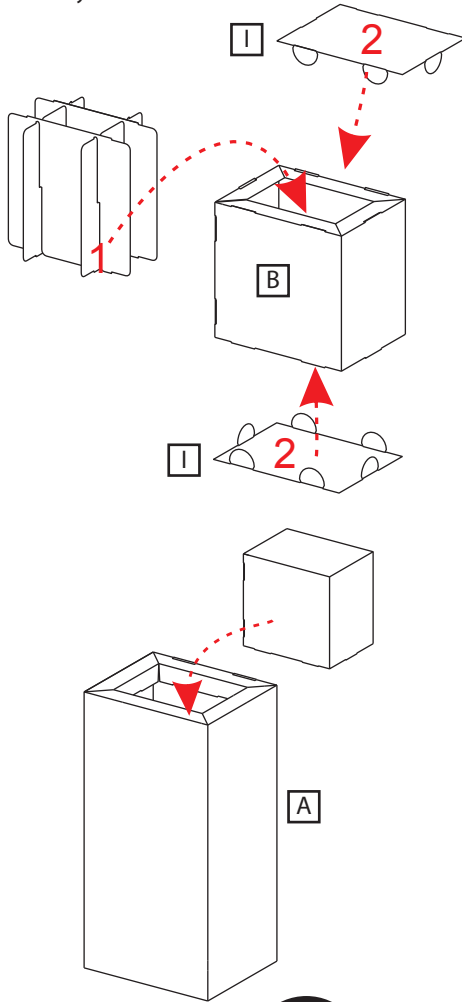
# Corrugated Pop-Up Display Assembly Instructions



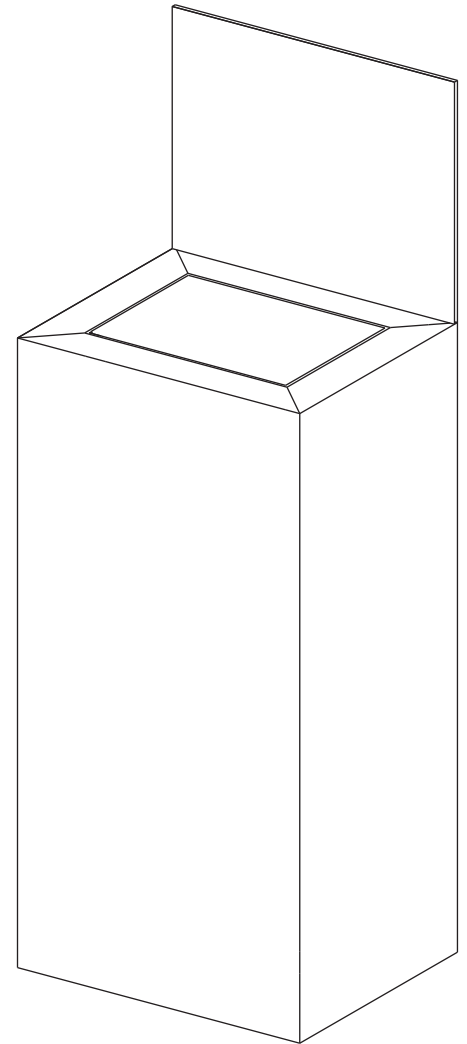
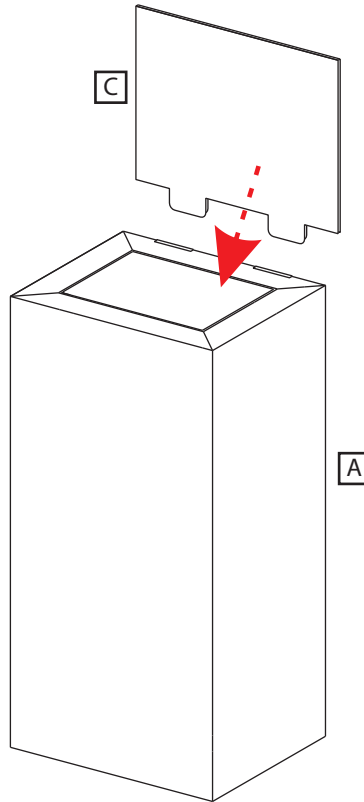
Scan the QR code or visit the web address directly to view the **assembly video**: [displaybuilds.com/corrpopup2019](https://displaybuilds.com/corrpopup2019)



- 7** Fold the (B) Platform Box and lock into a rectangle, then insert the assembled supports. Cap off each end of the (B) Platform Box by inserting the tabs in the (I) Platform Box Ends. Place inside (A) Display Body.



- 8** Insert (C) Header into (A) Display Body.



## MISSING PARTS / DAMAGE CLAIM INSTRUCTIONS

### 1. **DO NOT** discard the box or original packaging.

In the case of damaged goods caused by shipping, photo evidence will be required.

### 2. **Take photos of the box & markings.**

A photo of the markings (text) on the side of the box is required for all cases in which a replacement part is needed. This helps to identify the item number and ensures the correct parts are pulled.

### 3. **Take photos of damage (if applicable).**

A photo of the damaged part(s) is always required to file a claim and expediently process the replacement part. Please make sure you keep the box even if it is damaged.

### 4. **Send an email with the images requested.**

Email a description of the claim along with the images required above at [displaybuilds.com/contact](https://displaybuilds.com/contact) or directly to [help@displaybuilds.com](mailto:help@displaybuilds.com). Call our toll-free number 1-866-308-8368 for further assistance.