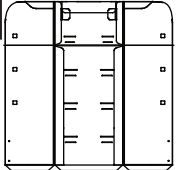
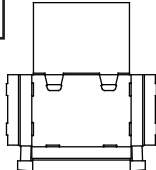
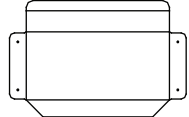
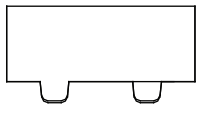
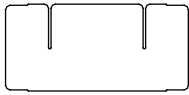


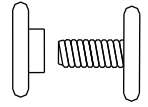


Dr Pepper Cream DG Corrugate Display - Assembly Instructions

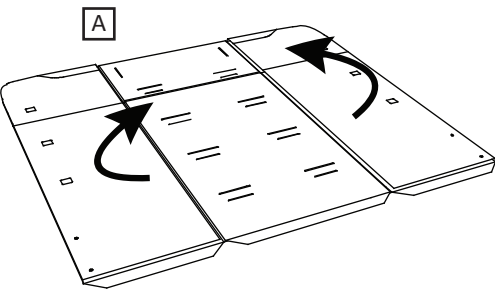


Scan the QR code or visit the web address directly to view the **assembly video**: displaybuilds.com/instructions_17865

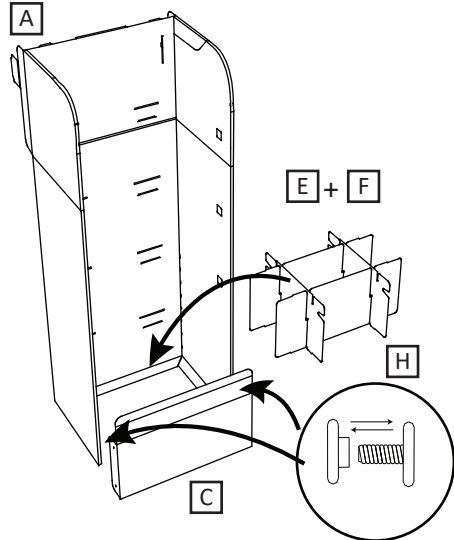


A  Body 1	B  Shelf 4	C  Base 1	D  Header 1	E  Base Support - 1 2	F  Base Support - 2 2
G  Support Bar 3	H  Fastener 4				

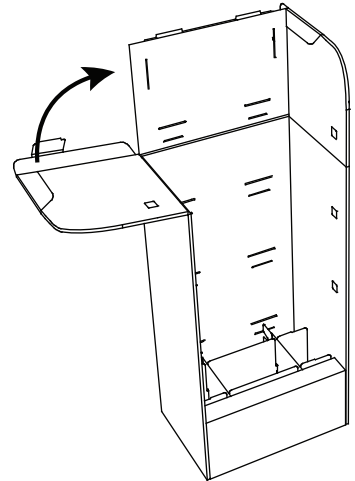
1 Open (A) Body and stand up. Fold bottom flaps under and inward.



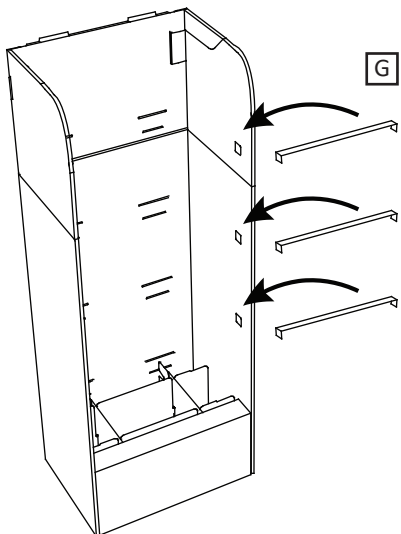
2 Connect the (C) Base to the (A) Body with x4 (H) Fasteners. Then assemble the (E) & (F) Base Supports as shown and place in bottom. Fold the (C) Base tab over and lock into place.



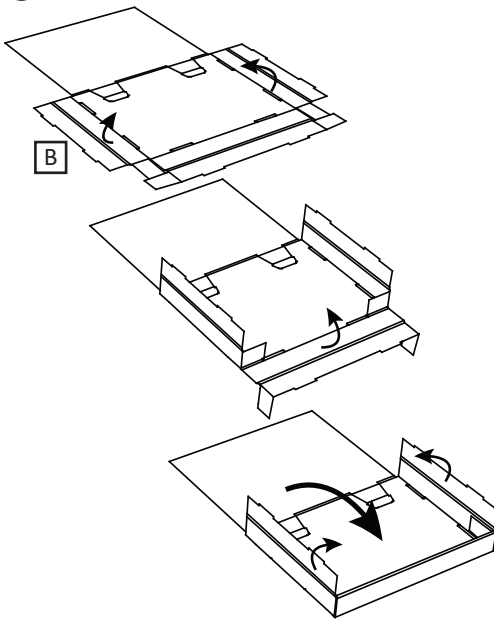
3 Fold top portion of the (A) Body up. Insert tabs on side panels through the back of the display, then fold outward to lock them into the inside of the (A) Body.



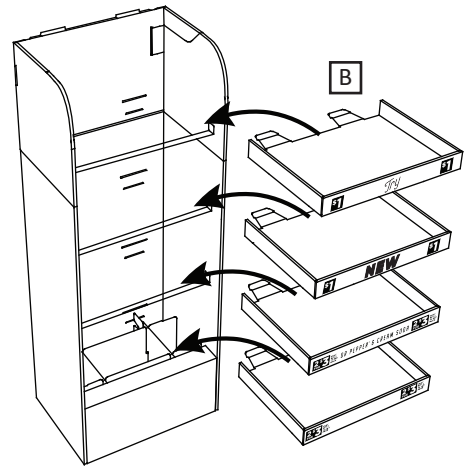
4 Install the (G) Support Bars at locations as shown.



5 Assemble the (B) Shelves as shown.



6 Install the assembled (B) Shelves. Insert the tabs at the back into the top slot in the back of the (A) Body...



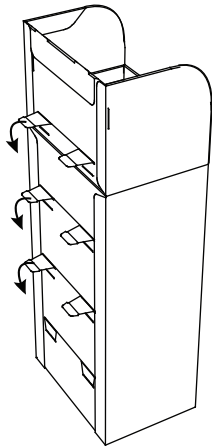
Dr Pepper Cream DG Corrugate Display - Assembly Instructions



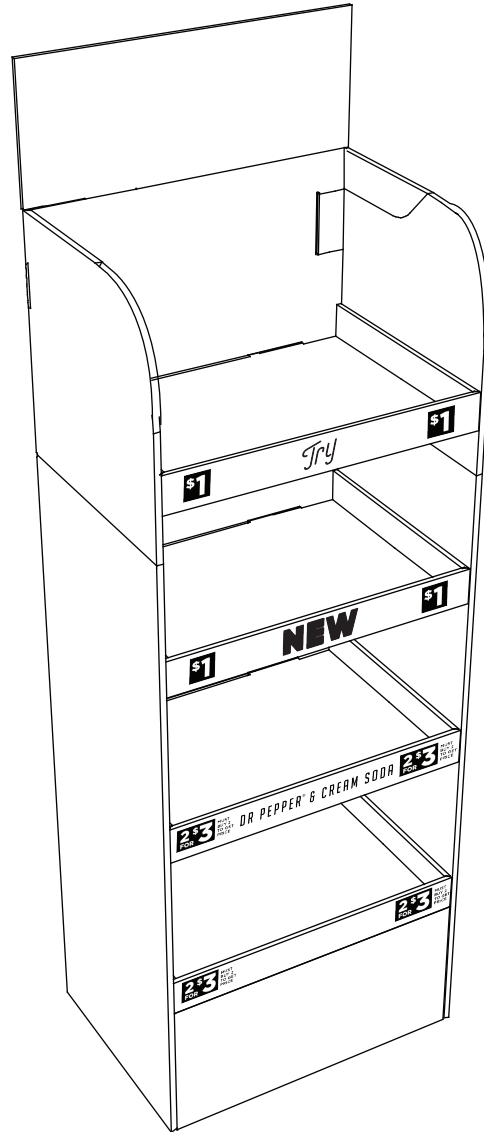
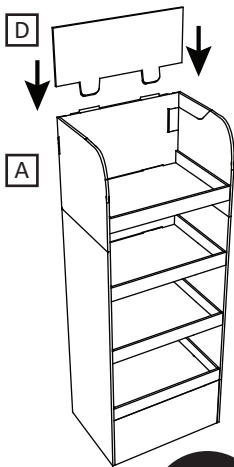
Scan the QR code or visit the web address directly to view the **assembly video**: displaybuilds.com/instructions_17865



- 7** ...then fold the tab down and back through the bottom hole to lock into place.



- 9** Insert the (D) Header into the slots at the top of the (A) Body.



MISSING PARTS / DAMAGE CLAIM INSTRUCTIONS

1. DO NOT discard the box or original packaging.

In the case of damaged goods caused by shipping, photo evidence will be required.

2. Take photos of the box & markings.

A photo of the markings (text) on the side of the box is required for all cases in which a replacement part is needed. This helps to identify the item number and ensures the correct parts are pulled.

3. Take photos of damage (if applicable).

A photo of the damaged part(s) is always required to file a claim and expediently process the replacement part. Please make sure you keep the box even if it is damaged.

4. Send an email with the images requested.

Email a description of the claim along with the images required above at displaybuilds.com/contact or directly to help@displaybuilds.com. Call our toll-free number 1-866-308-8368 for further assistance.