

Dr Pepper Football Display - Assembly Instructions

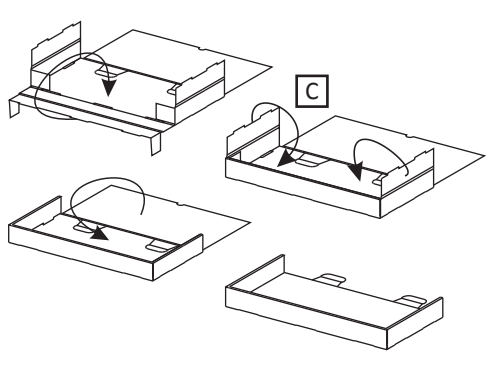


Scan the QR code or visit the web address directly to view the **assembly video**: displaybuilds.com/instructions_17895

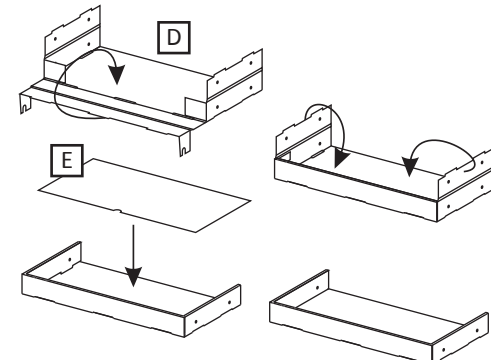


A Body A 1	B Body B 1	C Shelf (A1-A3, B1-B4) 7	D A - Bottom Tray 1	E A - Bottom Tray Liner 1	F B - Base 1
G Base Tray 1	H Topper 1	I Base Tray Liner 1	J Support Bar 8	K B - Base Supports 2	L Fastener 6

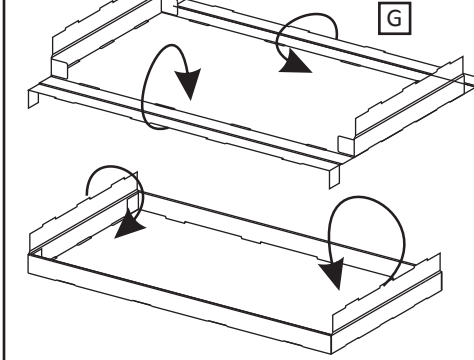
1 Assemble all (C) Shelves by folding as shown.



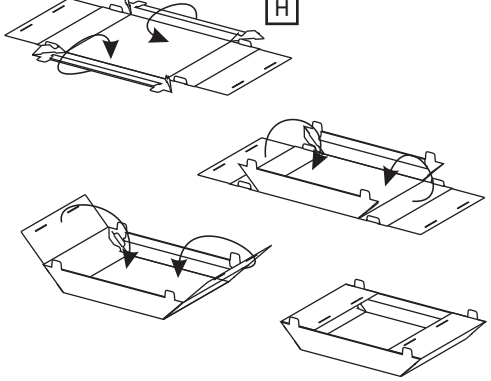
2 Assemble (D) A - Bottom Tray by folding as shown, and insert (E) A - Bottom Tray Liner.



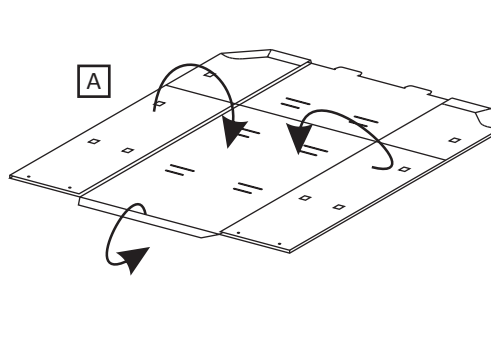
3 Assemble the (G) Base Tray by folding as shown.



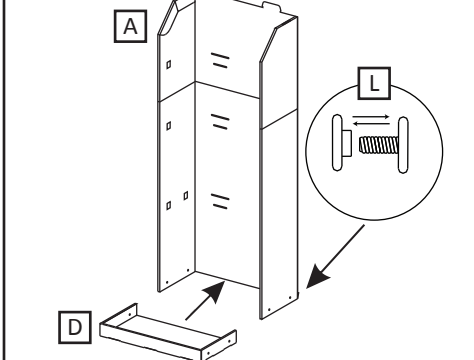
4 Fold the (H) Topper as shown to assemble.



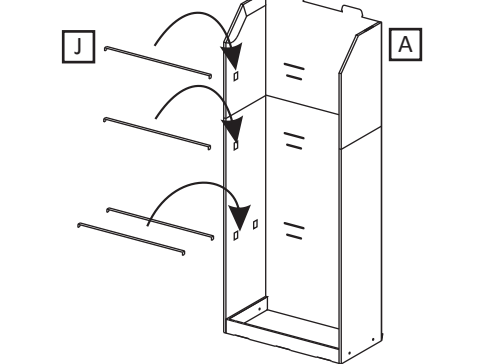
5 Square up (A) Body A so it stands; the bottom flaps should fold under and inward.



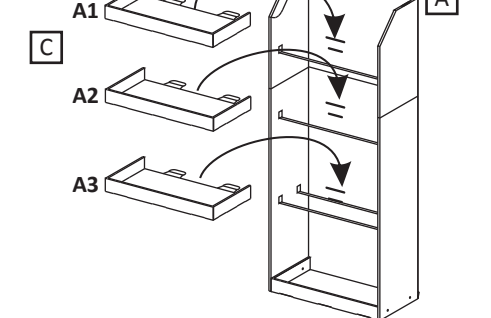
6 Insert assembled (D) A - Bottom Tray and secure to (A) Body A with x4 (L) Fasteners.



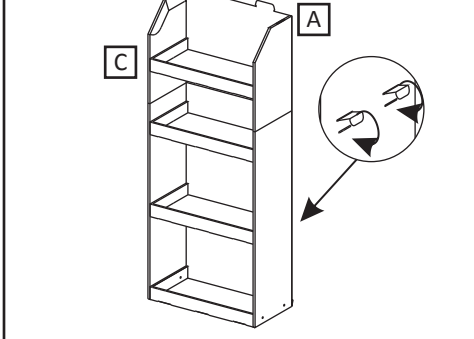
7 Install (J) Support Bars by inserting into the slots inside the (A) Body A.



8 Install (C) Shelves A1 - A3 in the locations shown below by inserting the tabs at the back of the shelf into the top slot in the (A) Body A.



9 Lock the (C) Shelves into place by folding the tabs at the back down and inserting them into the bottom slot in the (A) Body A.



Dr Pepper Football Display - Assembly Instructions



Scan the QR code or visit the web address directly to view the **assembly video**: displaybuilds.com/instructions_17895

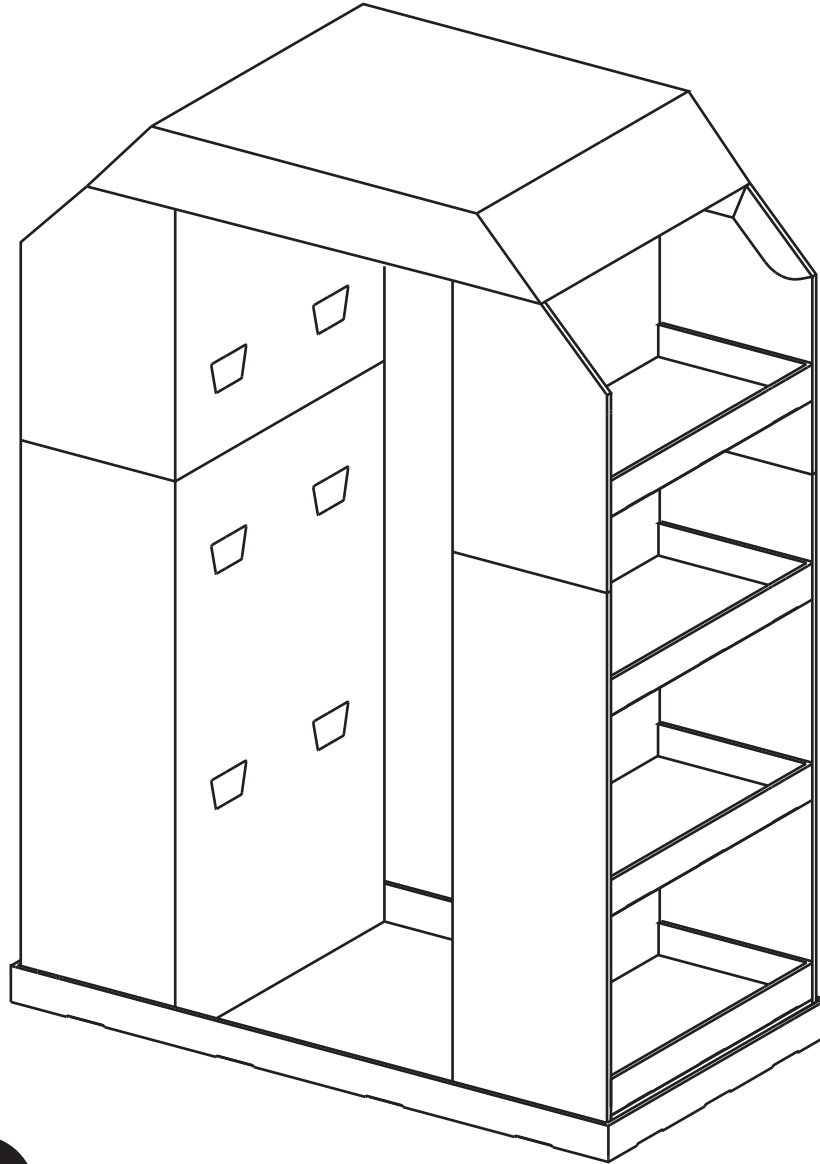


<p>A</p> <p>Body A 1</p>	<p>B</p> <p>Body B 1</p>	<p>C</p> <p>Shelf (A1-A3, B1-B4) 7</p>	<p>D</p> <p>A - Bottom Tray 1</p>	<p>E</p> <p>A - Bottom Tray Liner 1</p>	<p>F</p> <p>B - Base 1</p>
<p>G</p> <p>Base Tray 1</p>	<p>H</p> <p>Topper 1</p>	<p>I</p> <p>Base Tray Liner 1</p>	<p>J</p> <p>Support Bar 8</p>	<p>K</p> <p>B - Base Supports 2</p>	<p>L</p> <p>Fastener 6</p>
<p>10 Square up (B) Body B so it stands; the bottom flaps should fold under and inward.</p>		<p>11 Insert (F) B - Base as shown and secure to (B) Body B with x2 (L) Fasteners.</p>		<p>12 Assemble the (K) B - Base Supports as shown and insert into the bottom of the display.</p>	
<p>13 Install (J) Support Bars by inserting into the slots inside the (B) Body B.</p>		<p>14 Install (C) Shelves B1 - B4 in the locations shown below by inserting the tabs at the back of the shelf into the top slot in the (B) Body B.</p>		<p>15 Lock the (C) Shelves into place by folding the tabs at the back down and inserting them into the bottom slot in the (B) Body B.</p>	
<p>16 Insert both assembled displays as shown into the (G) Base Tray.</p>		<p>17 Insert the (I) Base Tray Liner into the (G) Base Tray in the center.</p>		<p>18 Attach assembled (H) Topper by inserting the tabs as shown into the slots in each display.</p>	

Dr Pepper Football Display - Assembly Instructions



Scan the QR code or visit the web address directly to view the **assembly video**: displaybuilds.com/instructions_17895



MISSING PARTS / DAMAGE CLAIM INSTRUCTIONS

1. DO NOT discard the box or original packaging.

In the case of damaged goods caused by shipping, photo evidence will be required.

2. Take photos of the box & markings.

A photo of the markings (text) on the side of the box is required for all cases in which a replacement part is needed. This helps to identify the item number and ensures the correct parts are pulled.

3. Take photos of damage (if applicable).

A photo of the damaged part(s) is always required to file a claim and expediently process the replacement part. Please make sure you keep the box even if it is damaged.

4. Send an email with the images requested.

Email a description of the claim along with the images required above at displaybuilds.com/contact or directly to help@displaybuilds.com. Call our toll-free number 1-866-308-8368 for further assistance.