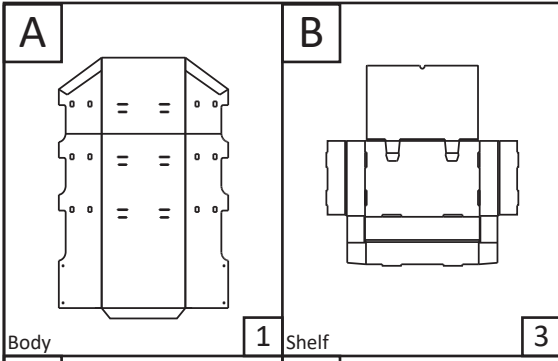


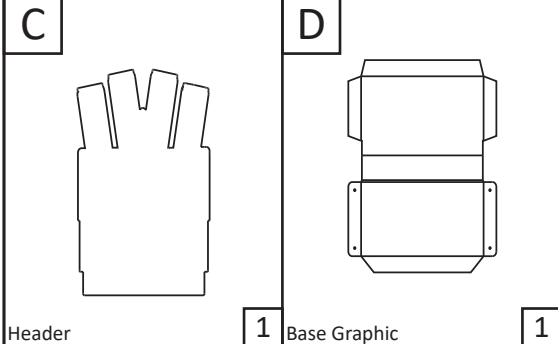
Mamitas 4-Pack Display - Assembly Instructions



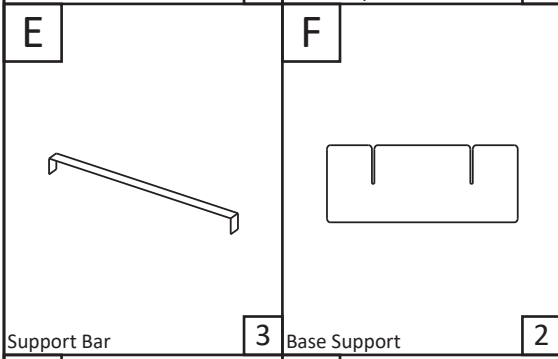
Scan the QR code or visit the web address directly to view the **assembly video**: displaybuilds.com/instructions_18233



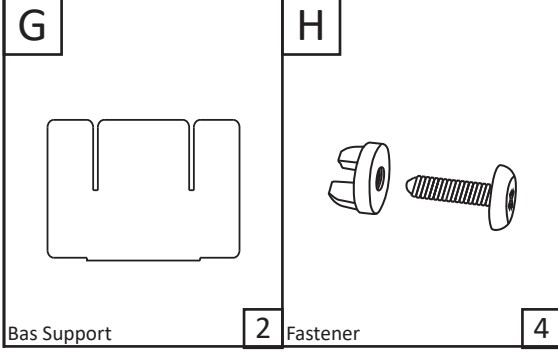
A Body **1** Shelf **3**



C Header **1** Base Graphic **1**

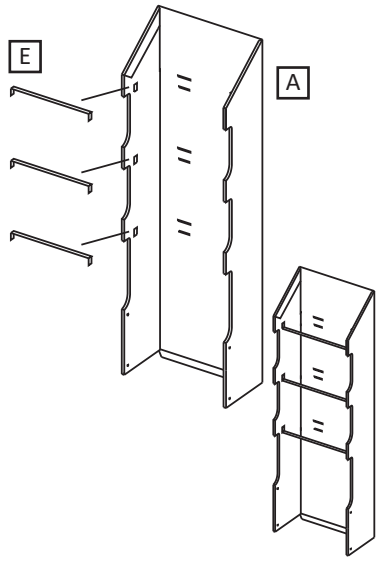


E Support Bar **3** Base Support **2**

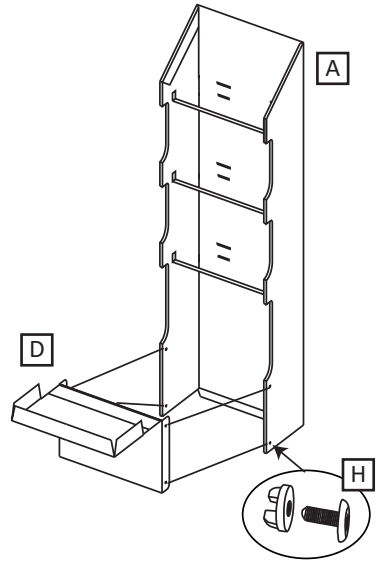


G Bas Support **2** Fastener **4**

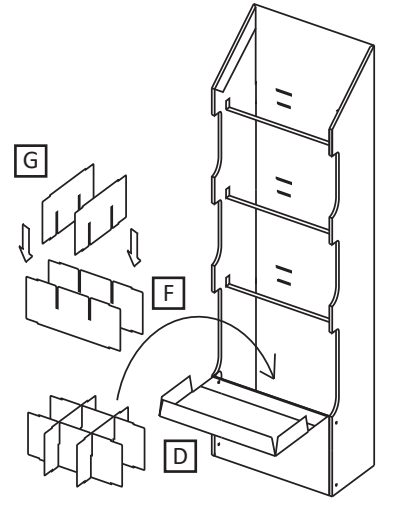
1 Square up (A) Body and insert (E) Support Bars into corresponding slots.



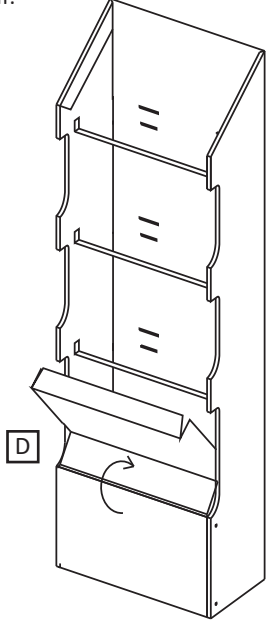
2 Attach (D) Base Graphic to (A) Body with (H) Fasteners.



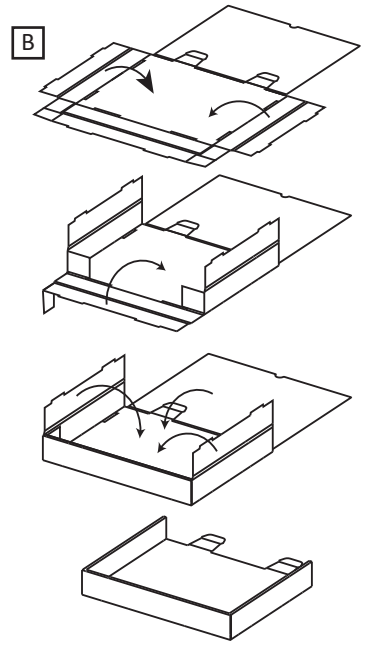
3 Cross (F) and (G) Base Supports as shown and interlock together. Insert into the base behind the (D) Base Graphic.



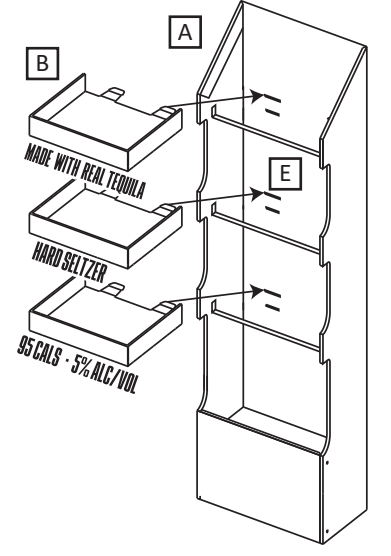
4 Fold over (D) Base Graphic to form a lip, and then tuck in the bottom to form a shelf.



5 Assemble (B) Shelves by folding as shown.



6 Install the assembled (B) Shelves by inserting the tab at the back in the corresponding TOP slot at the back of the (A) Body and resting the front of the shelf on the (E) Support Bar.



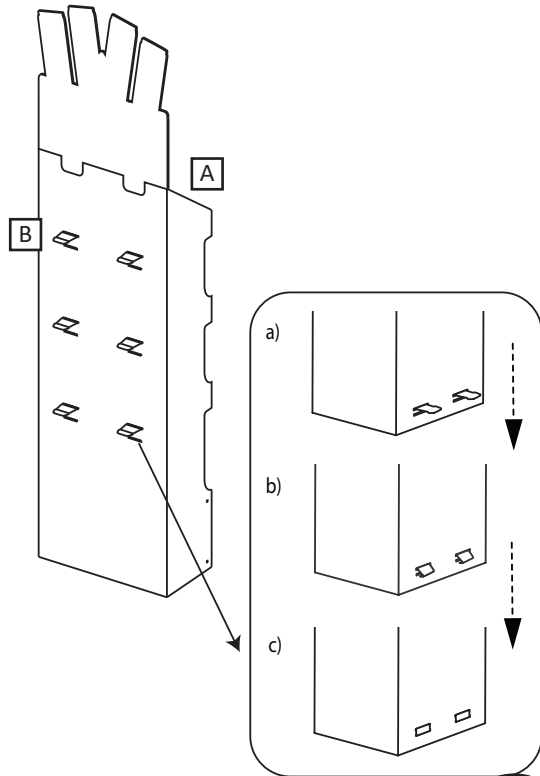
Mamitas 4-Pack Display - Assembly Instructions

JOB 18233

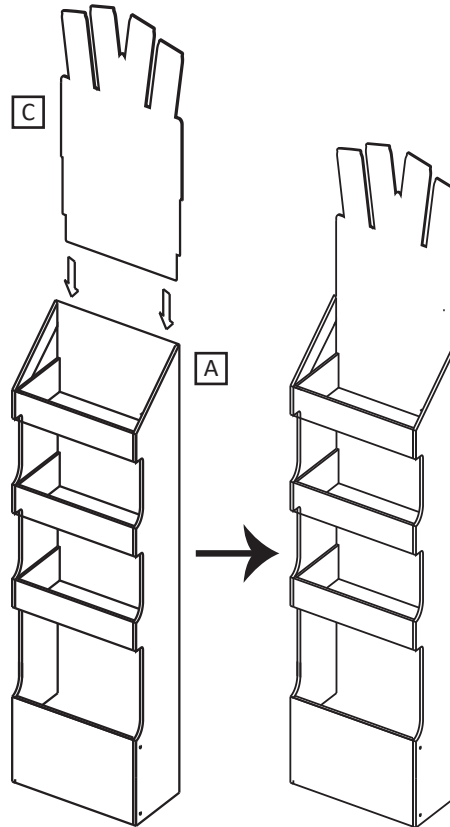
Scan the QR code or visit the web address directly to view the **assembly video**: displaybuilds.com/instructions_18233



- 7** Finalize (B) Shelf installation by folding the tab at the back of the display down, and inserting it into the bottom slot to lock into place.



- 8** Insert (C) Header into (A) Body.



MISSING PARTS / DAMAGE CLAIM INSTRUCTIONS

1. DO NOT discard the box or original packaging.

In the case of damaged goods caused by shipping, photo evidence will be required.

2. Take photos of the box & markings.

A photo of the markings (text) on the side of the box is required for all cases in which a replacement part is needed. This helps to identify the item number and ensures the correct parts are pulled.

3. Take photos of damage (if applicable).

A photo of the damaged part(s) is always required to file a claim and expediently process the replacement part. Please make sure you keep the box even if it is damaged.

4. Send an email with the images requested.

Email a description of the claim along with the images required above at displaybuilds.com/contact or directly to help@displaybuilds.com. Call our toll-free number 1-866-308-8368 for further assistance.