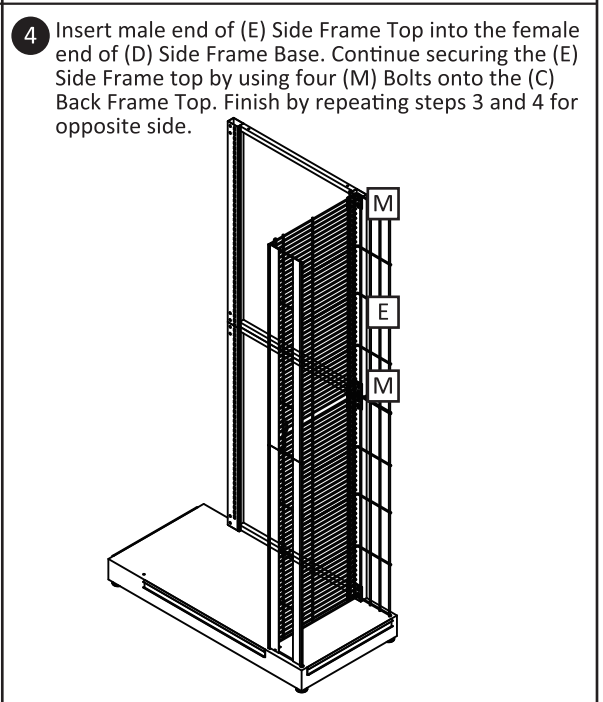
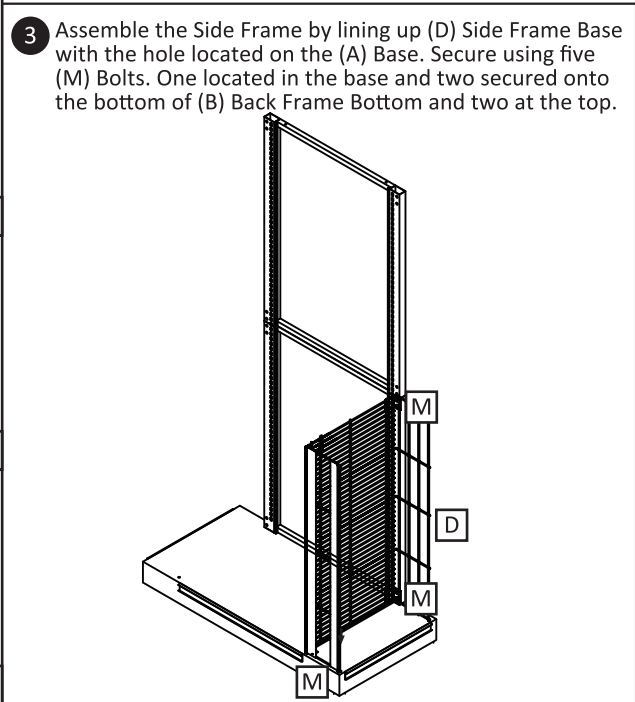
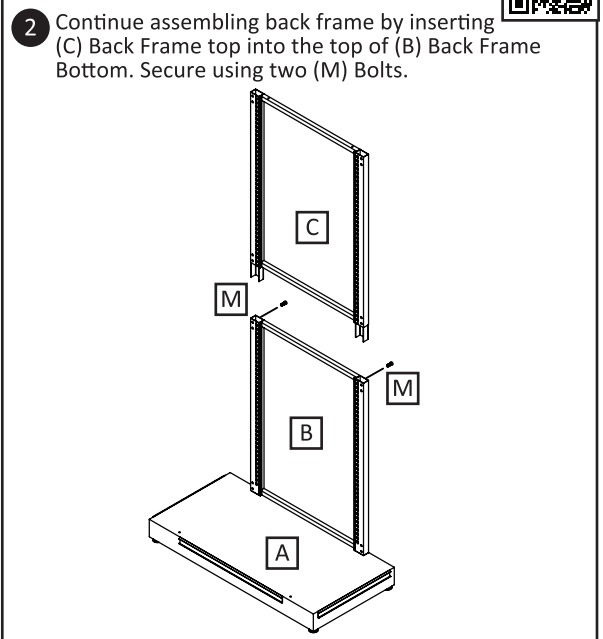
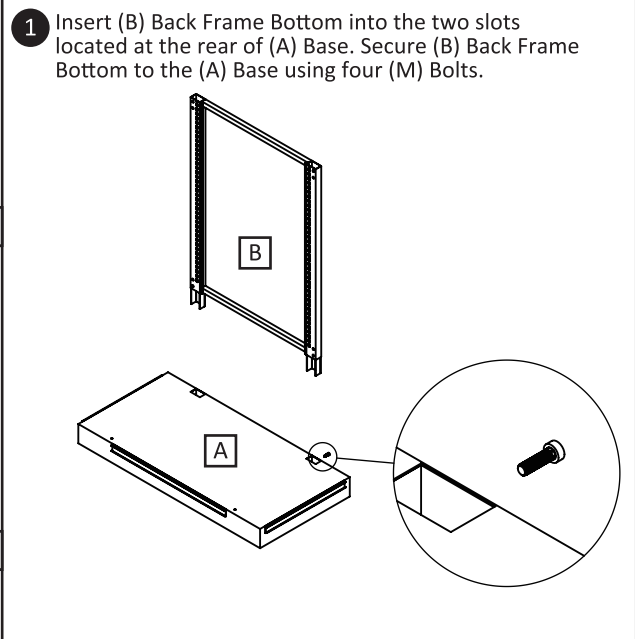


# SWEET DEALS END CAP - Assembly Instructions



Scan the QR code or visit the web address directly to view the **assembly video**: [displaybuilds.com/instructions\\_17814](http://displaybuilds.com/instructions_17814)

<b>A</b> Base 1	<b>B</b> Back Frame Base 1	<b>C</b> Back Frame Top 1
<b>D</b> Side Frame Base 2	<b>E</b> Side Frame Top 2	<b>F</b> Back Panel 1
<b>G</b> Vertical Panel POS 2	<b>H</b> Header Frame Back 1	<b>I</b> Header Frame Front 1
<b>J</b> Header Side Panels 2	<b>K</b> Center Shelves 6	<b>L</b> Side Hooks 51
<b>M</b> Bolts 24	<b>N</b> Gondola Bracket 2	<b>O</b> Center Shelf Liner 6



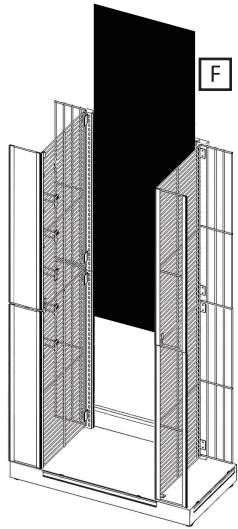
# SWEET DEALS END CAP - Assembly Instructions

JOB 17814

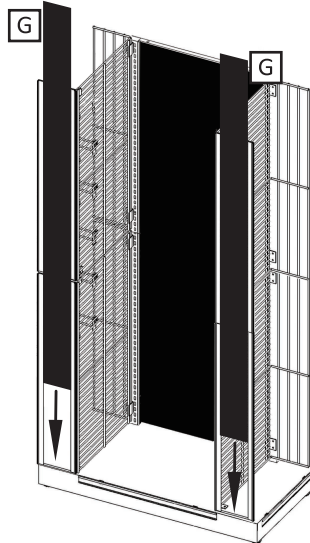
Scan the QR code or visit the web address directly to view the **assembly video**: [displaybuilds.com/instructions\\_17814](http://displaybuilds.com/instructions_17814)



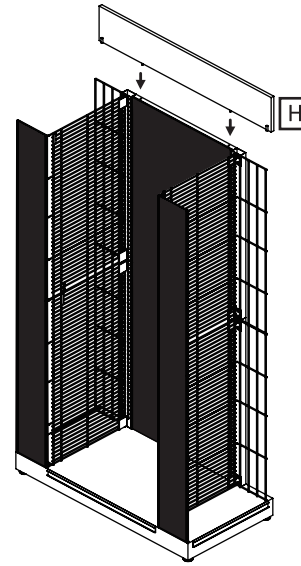
- 5 Insert (F) Back Panel into channels located at the top of (C) Back Frame Top.



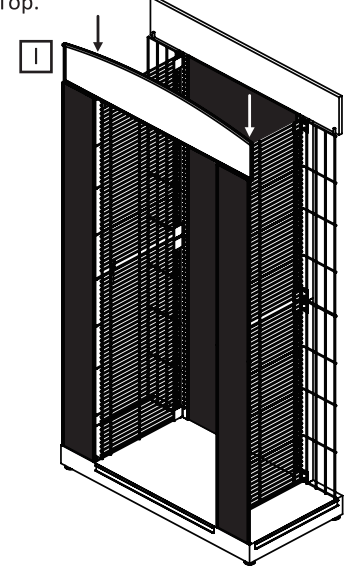
- 6 Insert (G) Vertical Panel POS into channels located at the top of (E) Side Frame Top.



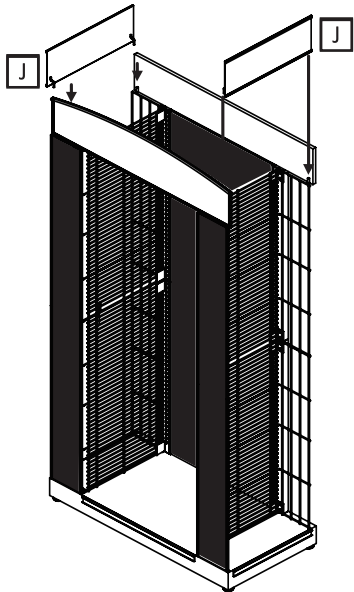
- 7 Install (H) Header Back Frame into the top of (C) Back Frame Top.



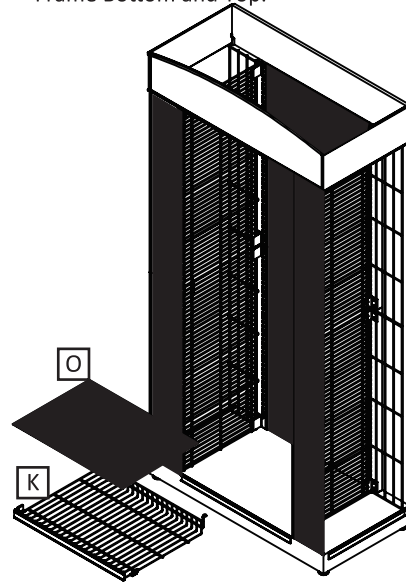
- 8 Install (I) Header Front into the Female holes located on the (E) Side Frame Top.



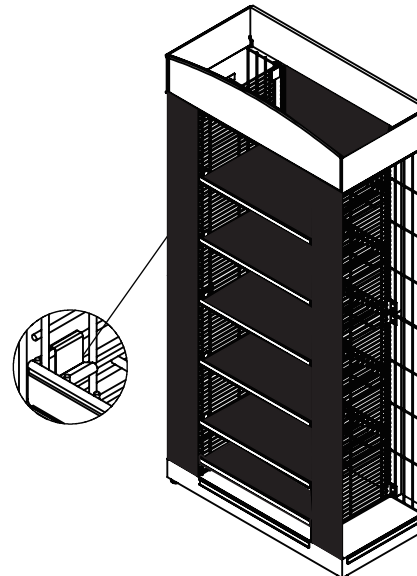
- 9 Install (J) Header Side Frame into the female slots located on the (H) Header Frame Back and (I) Header Frame Front.



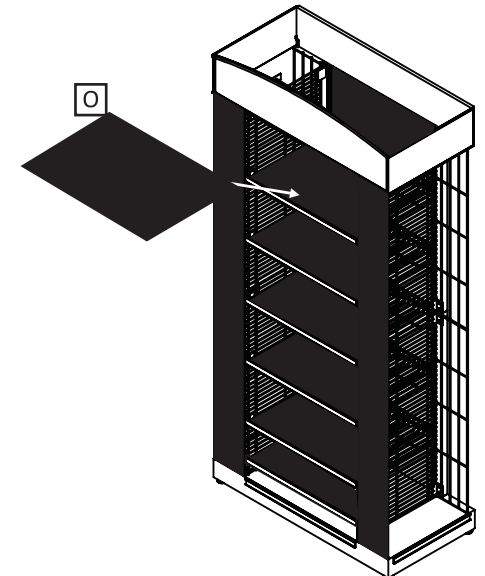
- 10 Install six (K) Center Shelves starting at the bottom by attaching the hooks at the rear of the shelf into the (B) and (C) Back Frame Bottom and Top.



- 11 Continue installing shelves by hooking the hooks located on the front of the (K) Center Shelves by hooking them onto the (D) and (E) Side Frame Base and Top.



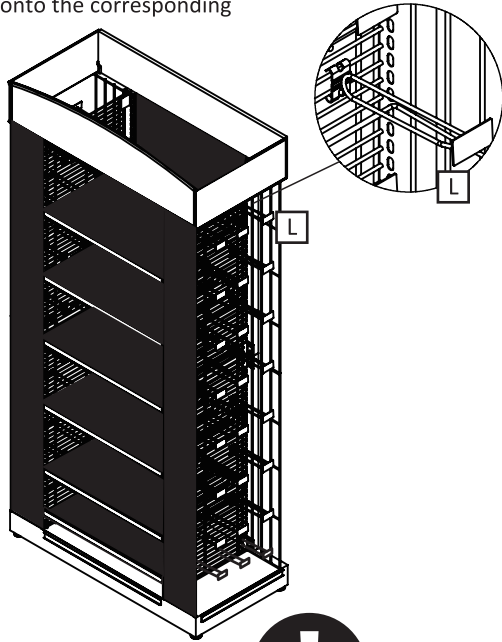
- 12 Place six (O) Center Shelf Liner onto the center shelves to finish Center Shelves.



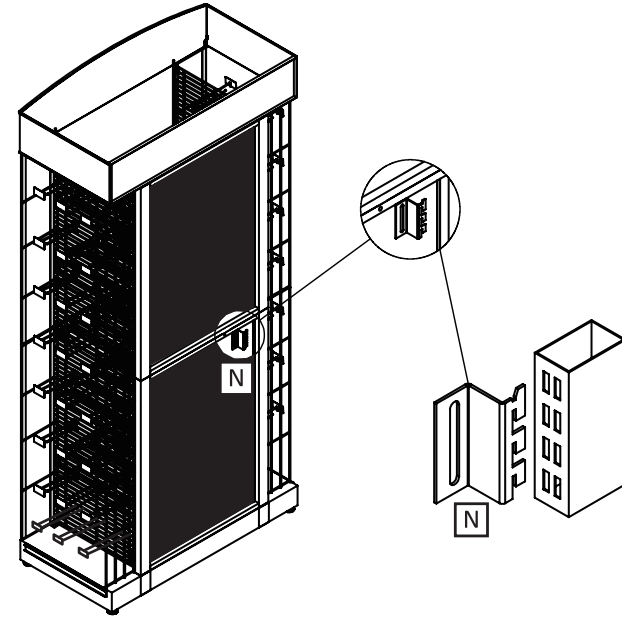
Scan the QR code or visit the web address directly to view the **assembly video**: [displaybuilds.com/instructions\\_17814](http://displaybuilds.com/instructions_17814)



- 13** Install (L) Product Hooks onto the Wire Side Frames by hooking the top into place and popping the bottom onto the corresponding bottom wire.



- 14** Install two (N) Gondola Hook by finding the screw hole area located on the back of (B) Back Frame Base. Secure (N) Gondola Hook onto the display using one (M) Bolt and move display into place. Reach the Gondola Hook and hook into the Gondola.



## MISSING PARTS / DAMAGE CLAIM INSTRUCTIONS

**1. DO NOT discard the box or original packaging.**

In the case of damaged goods caused by shipping, photo evidence will be required.

**2. Take photos of the box & markings.**

A photo of the markings (text) on the side of the box is required for all cases in which a replacement part is needed. This helps to identify the item number and ensures the correct parts are pulled.

**3. Take photos of damage (if applicable).**

A photo of the damaged part(s) is always required to file a claim and expediently process the replacement part. Please make sure you keep the box even if it is damaged.

**4. Send an email with the images requested.**

Email a description of the claim along with the images required above at [displaybuilds.com/contact](http://displaybuilds.com/contact) or directly to [help@displaybuilds.com](mailto:help@displaybuilds.com). Call our toll-free number 1-866-308-8368 for further assistance.