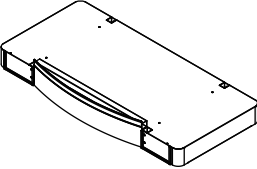
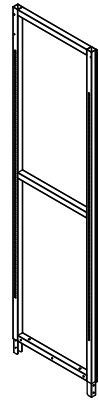
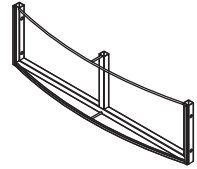
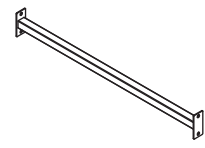
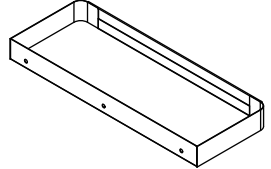
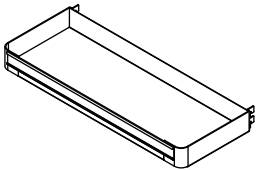
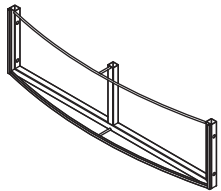
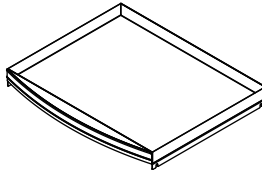
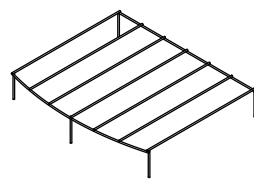
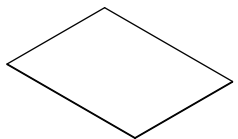
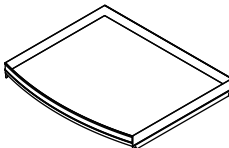
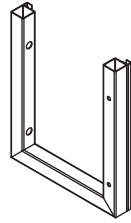

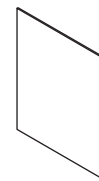
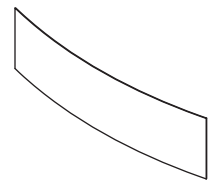
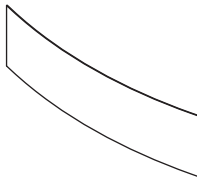

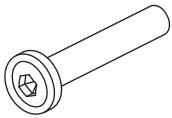
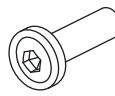






Scan the QR code or visit
displaybuilds.com/instructions_18465
 for more images and assistance.

COCA-COLA / DG MKT SLIM END CAP DISPLAY

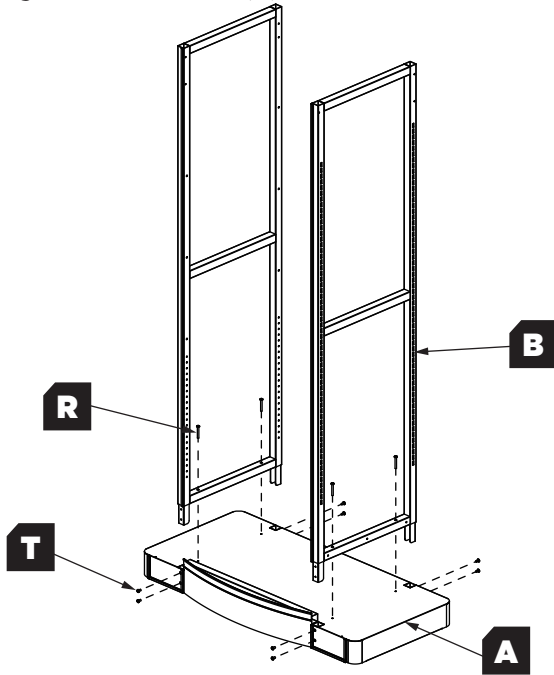
<p>A</p>  <p>BASE 1</p>	<p>B</p>  <p>SIDE FRAME 2</p>	<p>C</p>  <p>CENTER HEADER FRAME 1</p>	<p>D</p>  <p>BACK BAR 1</p>	<p>E</p>  <p>SIDE BASE SHELF 2</p>	
<p>F</p>  <p>SIDE SHELF 8</p>	<p>G</p>  <p>SIDE HEADER FRAME 2</p>	<p>H</p>  <p>CENTER ANGLED SHELF 3</p>	<p>I</p>  <p>ANGLED SHELF DIVIDER 3</p>	<p>J</p>  <p>SLIP MAT 3</p>	
<p>K</p>  <p>CENTER FLAT SHELF 1</p>	<p>L</p>  <p>BACK HEADER FRAME 2</p>	<p>M</p>  <p>FRONT POS FRAME 2</p>	<p>N</p>  <p>BACK HEADER 2</p>	<p>O</p>  <p>SIDE HEADER POS 2</p>	
<p>P</p>  <p>CENTER HEADER POS 1</p>	<p>Q</p>  <p>FRONT POS 2</p>	<p>R</p>  <p>LONG BOLT 4</p>	<p>S</p>  <p>MEDIUM BOLT 16</p>	<p>T</p>  <p>SHORT BOLT 38</p>	
		<p>U</p>  <p>TOOL 1</p>			



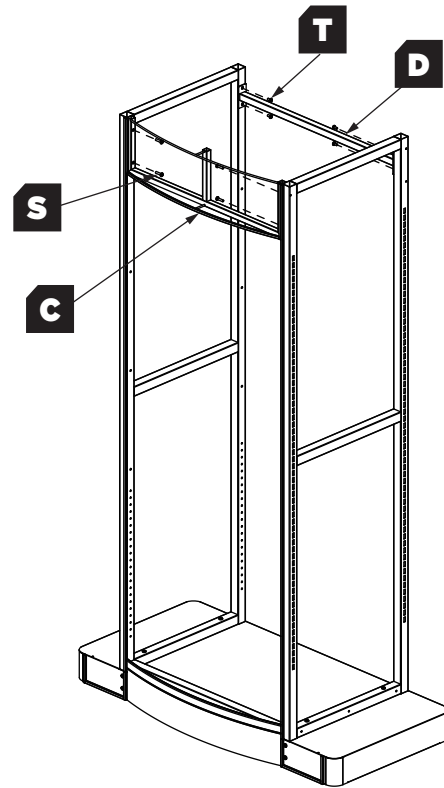
Scan the QR code or visit
displaybuilds.com/instructions_18465
 for more images and assistance.

COCA-COLA / DG MKT SLIM END CAP DISPLAY

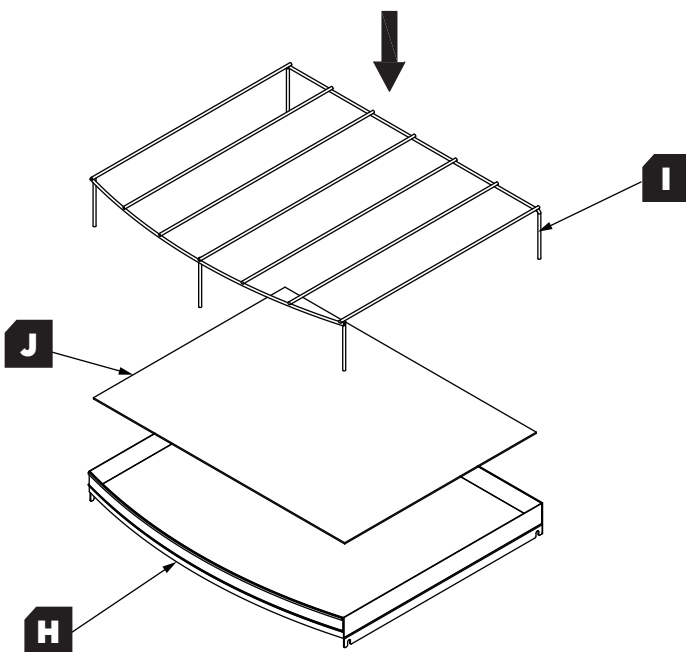
- 1** -Insert one (B) Side Frame into (A) Base with shelf notches facing outward. Reference hole pattern below for left & right placement.
 -Attach each (B) Side Frame with x4 (T) Short Bolts at front & back.
 -Attach each (B) Side Frame with x2 (R) Long Bolts on the inside of the frames down into the (A) Base.
 -Tighten all bolts with (U) Tool.



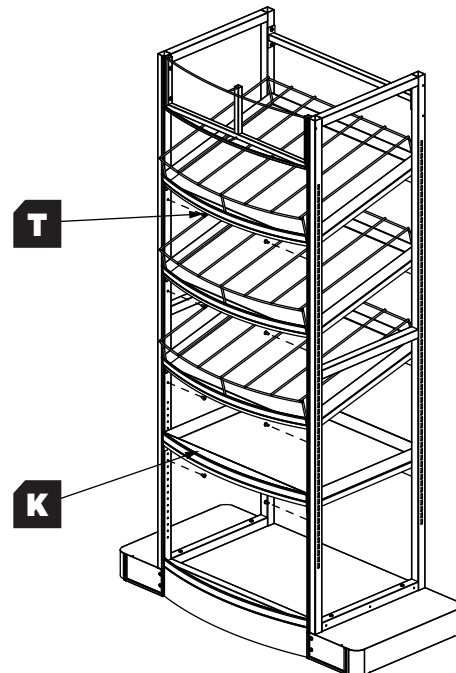
- 2** -Attach (C) Center Header Frame to (B) Side Frames with x4 (S) Medium Bolts and tighten with (U) Tool.
 -Attach (D) Back Bar to (B) Side Frames with x4 (T) Short Bolts.



- 3** -Place a (J) Slip Mat into each (H) Center Angled Shelf.
 -Install (I) Angled Shelf Divider into each (H) Center Angled Shelf.



- 4** -Thread x4 (T) Short Bolts into each (H) Center Angled Shelf location on the (B) Side Frames but leave loose.
 -Place the (H) Center Angled Shelves onto the protruding (T) Short Bolts, then tighten with (U) Tool.
 -Thread x4 (T) Short Bolts into (K) Center Flat Shelf location on the (B) Side Frames but leave loose.
 -Place (K) Center Flat Shelf onto the protruding (T) Short Bolts, then tighten with (U) Tool.

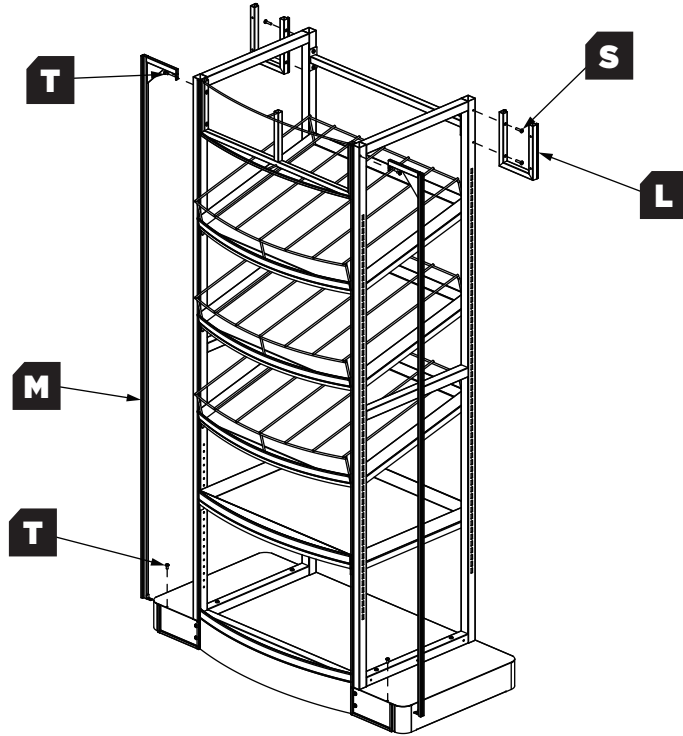




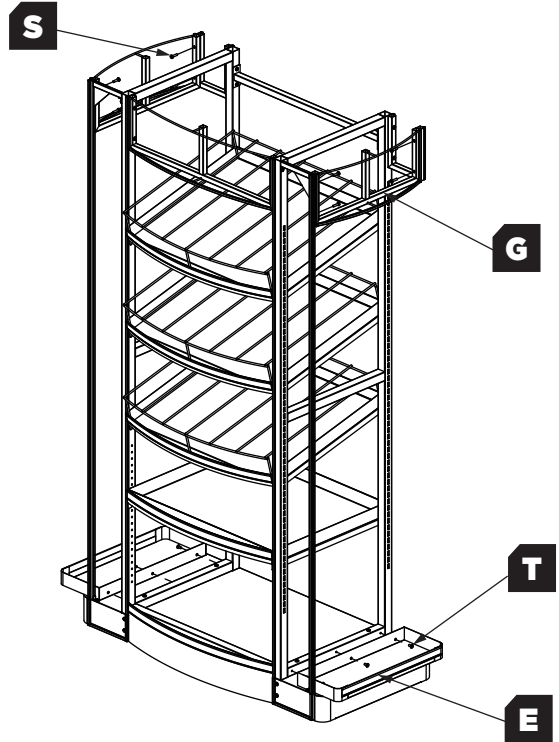
Scan the QR code or visit
displaybuilds.com/instructions_18465
 for more images and assistance.

COCA-COLA / DG MKT SLIM END CAP DISPLAY

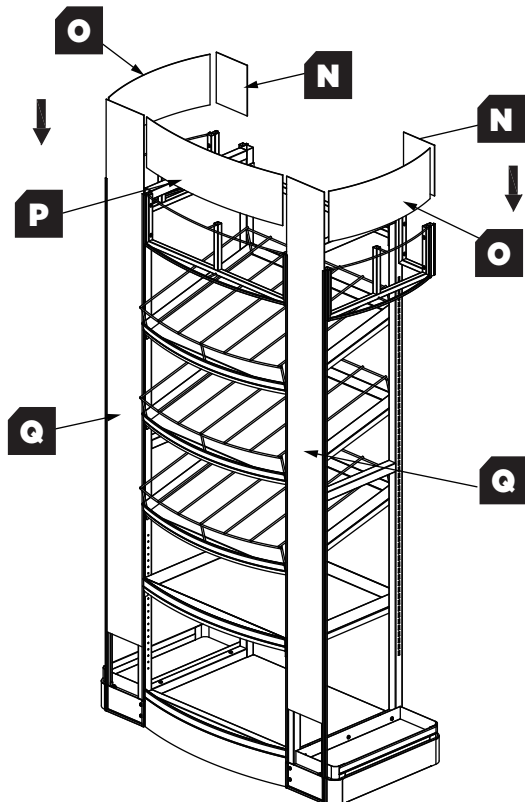
- 5** -Attach (M) Front POS Frames (left & right) to (B) Side Frames and (A) Base with x2 (T) Short Bolts each.
 -Attach (L) Back Header Frames (left & right) to (B) Side Frames with x2 (S) Medium Bolts each.
 -Tighten all bolts with (U) Tool.



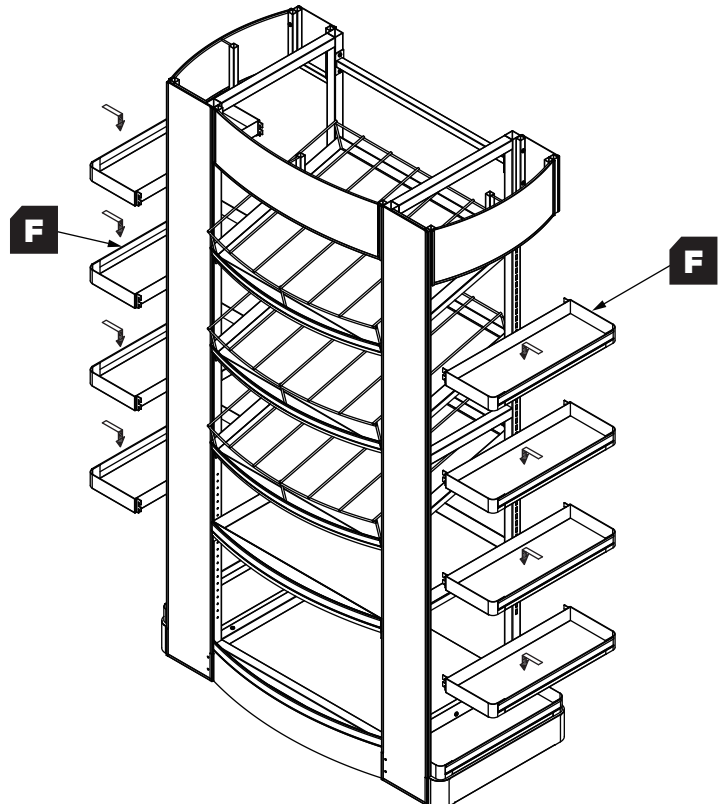
- 6** -Attach (G) Side Header Frames to (L) Back Header Frame and (M) Front POS Frame with x4 (S) Medium Bolts each and tighten with (U) Tool.
 -Attach each (E) Side Base Shelf to (B) Side Frame with x3 (T) Short Bolts each and tighten with (U) Tool.



- 7** -Install (N-Q) Back Header and POS Graphics by sliding into respective channel slides.



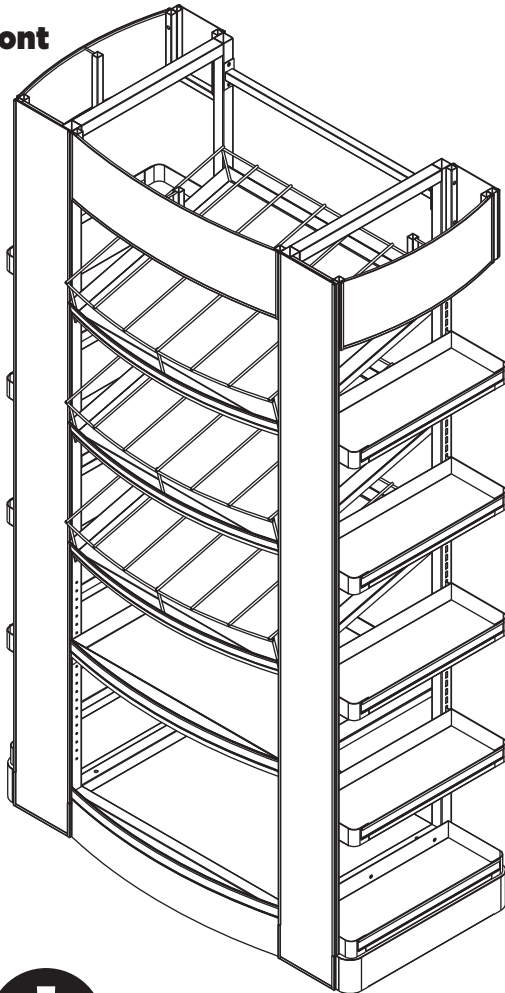
- 8** -Hook (F) Side Shelves into (B) Side Frames at required locations to accommodate product.



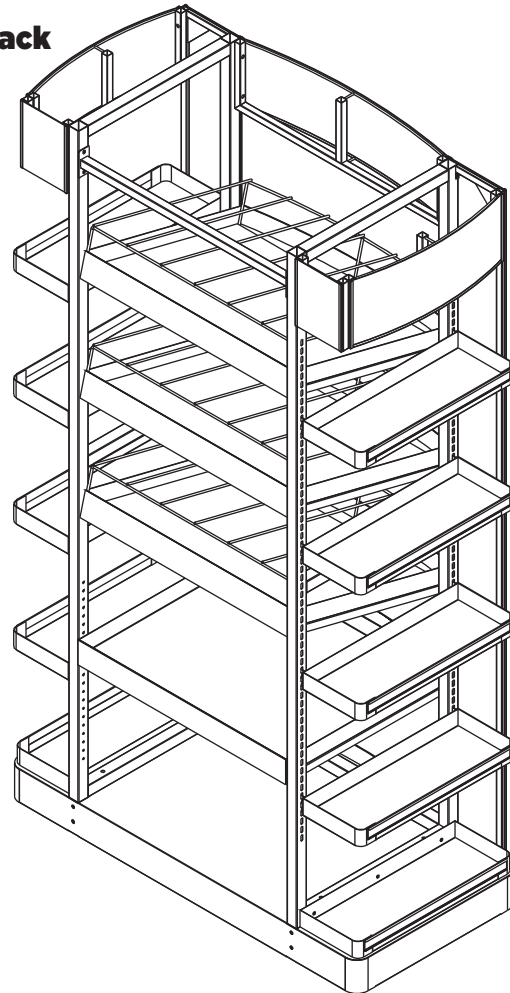


Scan the QR code or visit
displaybuilds.com/instructions_18465
for more images and assistance.

Front



Back



MISSING PARTS / DAMAGE CLAIM INSTRUCTIONS

1. DO NOT discard the box or original packaging.

In the case of damaged goods caused by shipping, photo evidence will be required.

2. Take photos of the box & markings.

A photo of the markings (text) on the side of the box is required for all cases in which a replacement part is needed. This helps to identify the item number and ensures the correct parts are pulled.

3. Take photos of damage (if applicable).

A photo of the damaged part(s) is always required to file a claim and expediently process the replacement part. Please make sure you keep the box even if it is damaged.

4. Send an email with the images requested.

Email a description of the claim along with the images required above directly to parts@tmaksinc.com. Call our toll-free number 1-866-308-8368 for further assistance.