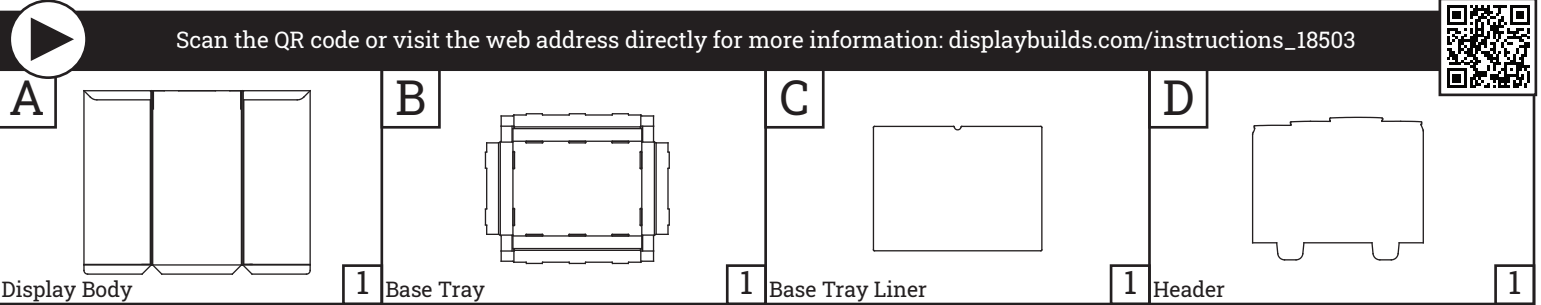


Mamitas 8pk Case Stacker - Assembly Instructions

JOB 18503

Scan the QR code or visit the web address directly for more information: displaybuilds.com/instructions_18503

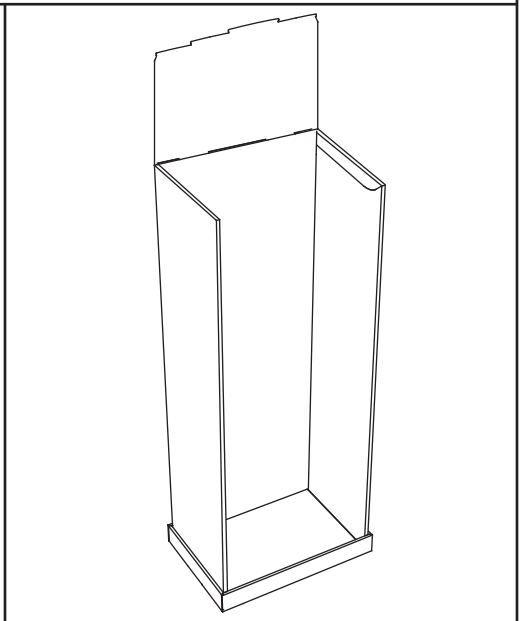


1 Square up (A) Display Body and fold bottom tabs inward.

2 Assemble (B) Base Tray by folding as shown.

3 Insert (A) Display Body into assembled (B) Base Tray, then insert (C) Liner into the bottom.

4 Insert (D) Header into slots on (A) Display Body.



MISSING PARTS / DAMAGE CLAIM INSTRUCTIONS

- DO NOT** discard the box or original packaging.
In the case of damaged goods caused by shipping, photo evidence will be required.
- Take photos of the box & markings.
A photo of the markings (text) on the side of the box is required for all cases in which a replacement part is needed. This helps to identify the item number and ensures the correct parts are pulled.
- Take photos of damage (if applicable).
A photo of the damaged part(s) is always required to file a claim and expediently process the replacement part. Please make sure you keep the box even if it is damaged.
- Send an email with the images requested.
Email a description of the claim along with the images required above at displaybuilds.com/contact or directly to help@displaybuilds.com. Call our toll-free number 1-866-308-8368 for further assistance.