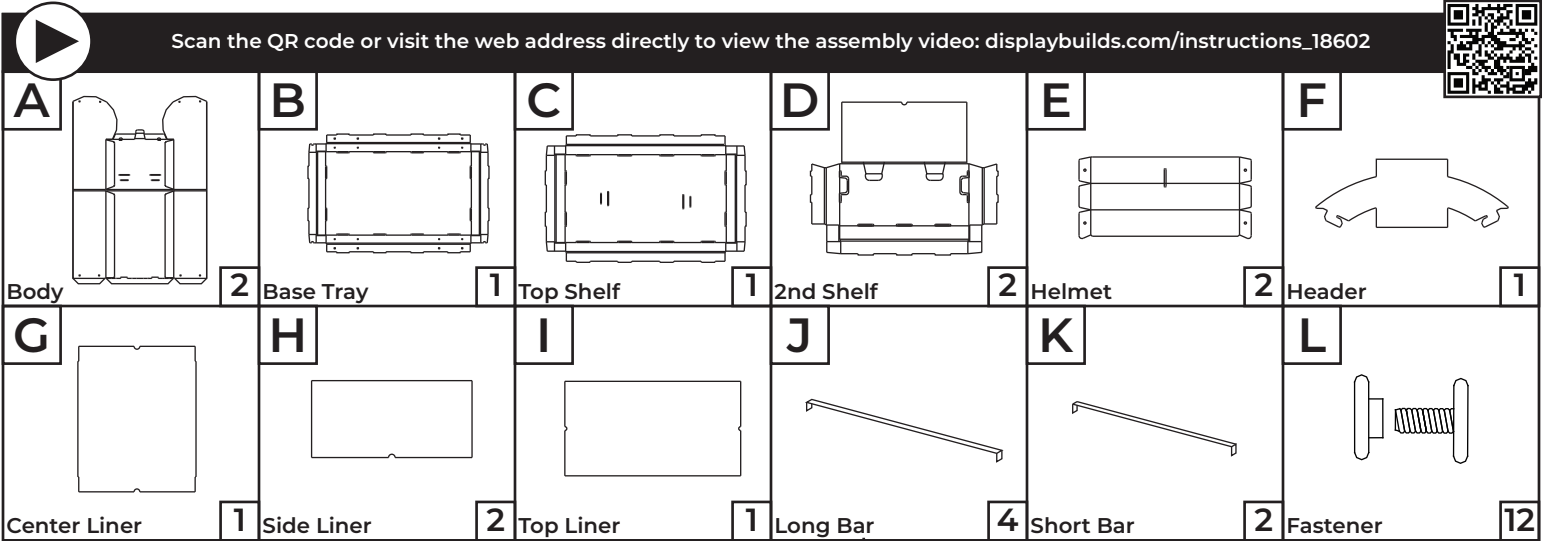


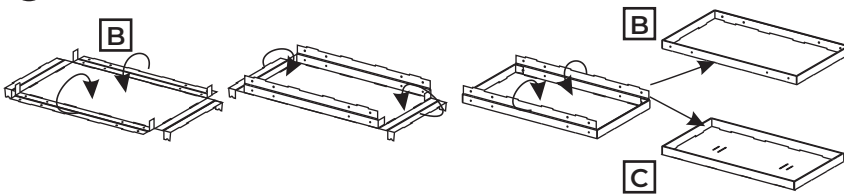
KDP / DG Football Display (Double Helmet Version)

JOB 18602

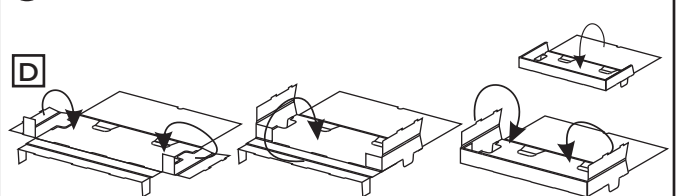
Scan the QR code or visit the web address directly to view the assembly video: displaybuilds.com/instructions_18602



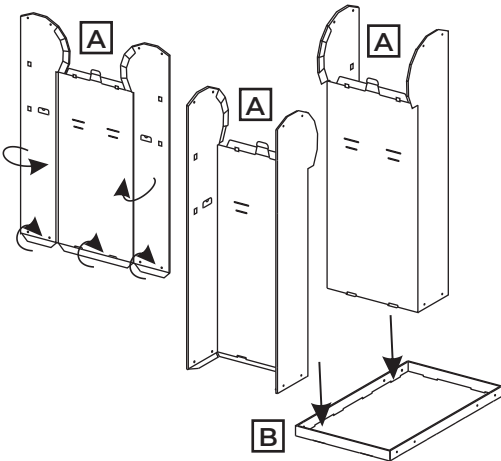
1 Assemble (B) Base Tray and (C) Top Shelf by folding as shown.



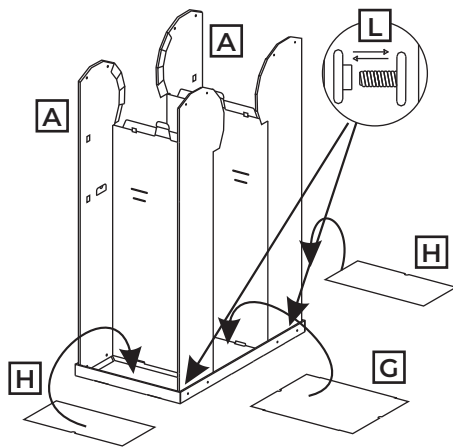
2 Assemble (D) 2nd Shelf by folding as shown.



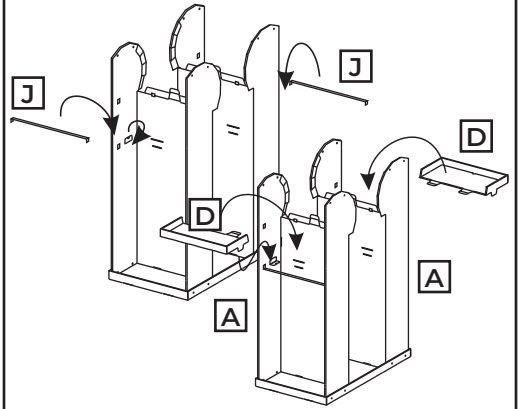
3 Square up each (A) Body and insert into assembled (B) Base Tray.



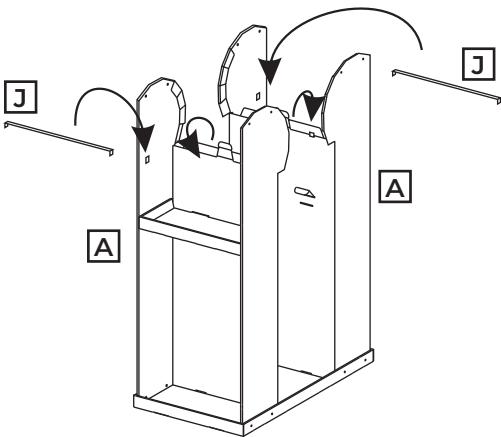
4 Insert (H) Side Liner into (B) Base Tray and attach each (A) Body to (B) Base Tray with x4 (L) Fasteners each.



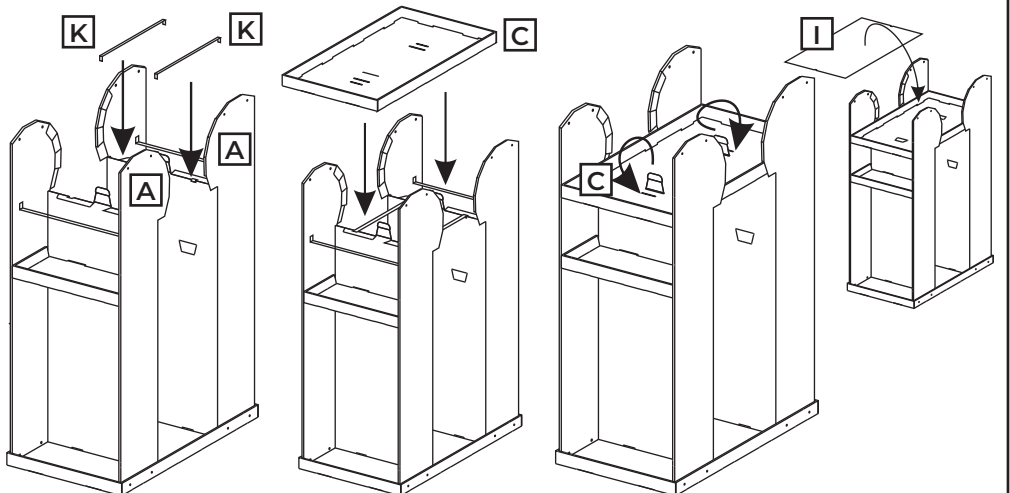
5 Install x2 (J) Long Bars at lower positions and insert (D) 2nd Shelf into top slots on each (A) Body; then fold tab down and insert back through the second slot to lock into place.



6 Install x1 (J) Long Bar at top position on each (A) Body.



7 Install (K) Short Bars to connect each (A) Body and place (C) Top Shelf, locking into place with tabs on each (A) Body. Then place (I) Top Liner in bottom.

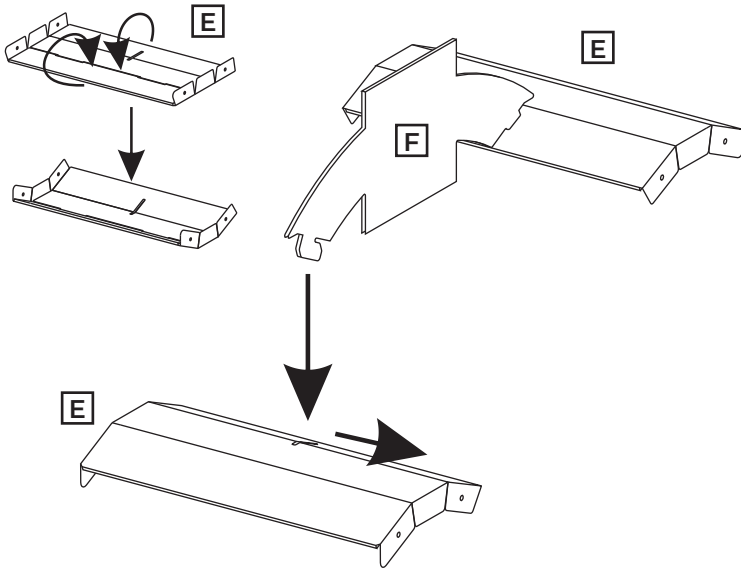




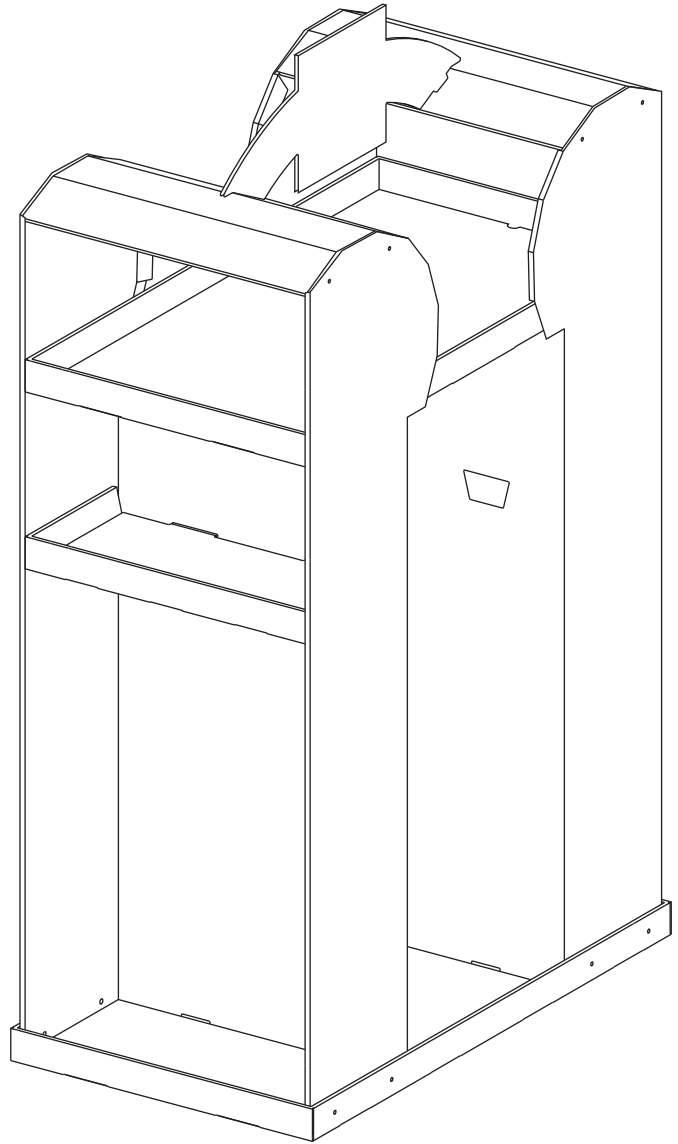
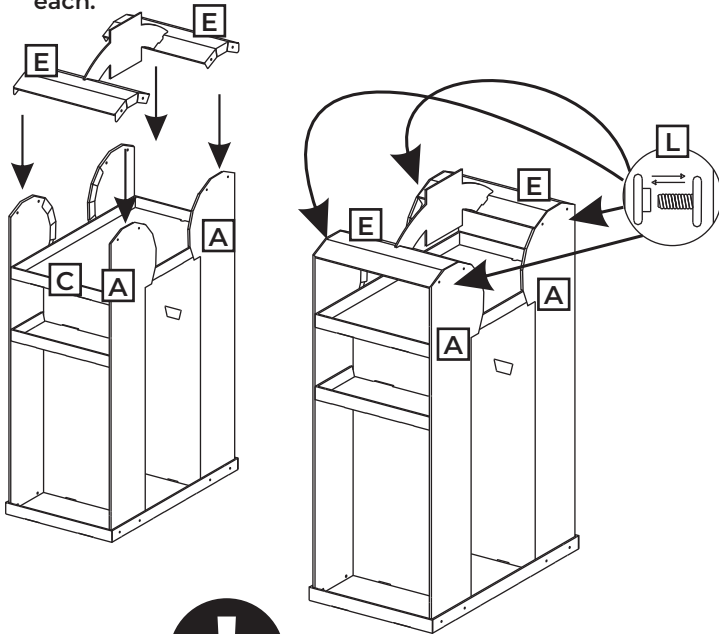
Scan the QR code or visit the web address directly to view the assembly video: displaybuilds.com/instructions_18602



9 Fold each (E) Helmet as shown and connect together with (F) Header.



10 Place (E) Helmet and (F) Header Assembly on top of display (A) Body and secure to each side with x4 (L) Fasteners each.



MISSING PARTS / DAMAGE CLAIM INSTRUCTIONS

1. **DO NOT** discard the box or original packaging.
In the case of damaged goods caused by shipping, photo evidence will be required.
2. Take photos of the box & markings.
A photo of the markings (text) on the side of the box is required for all cases in which a replacement part is needed. This helps to identify the item number and ensures the correct parts are pulled.
3. Take photos of damage (if applicable).
A photo of the damaged part(s) is always required to file a claim and expediently process the replacement part. Please make sure you keep the box even if it is damaged.
4. Send an email with the images requested.
Email a description of the claim along with the images required above at displaybuilds.com/contact or directly to help@displaybuilds.com. Call our toll-free number 1-866-308-8368 for further assistance.