

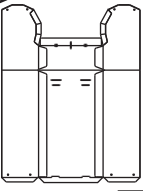
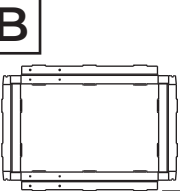
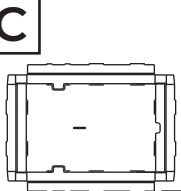
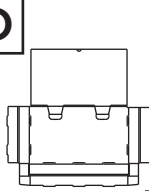
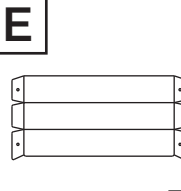
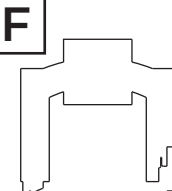
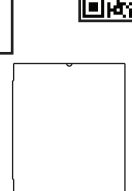


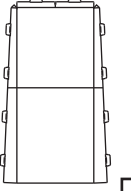
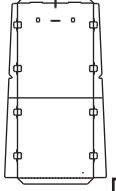
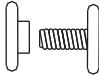


KDP / DG Football Display (Single Helmet Version)

JOB 18602



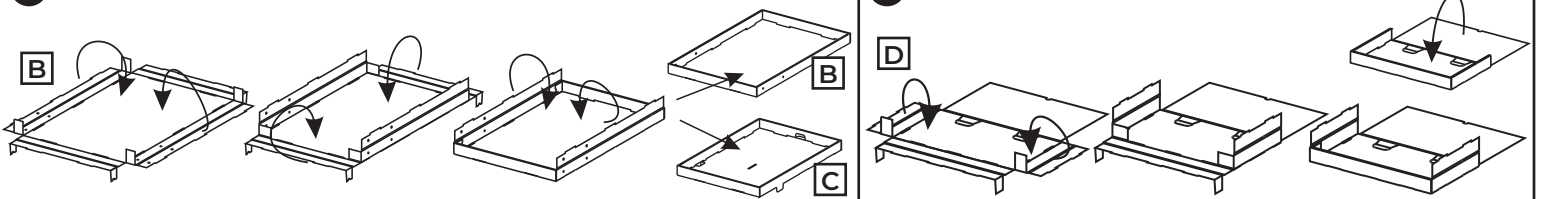
Scan the QR code or visit the web address directly to view the assembly video: displaybuilds.com/instructions_18602



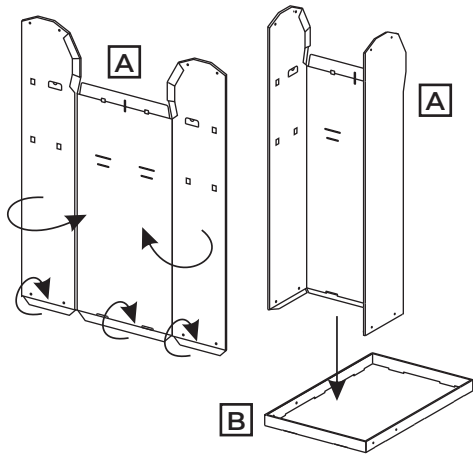
A  Body 1	B  Base Tray 1	C  Top Shelf 1	D  2nd Shelf 1	E  Helmet 1	F  Header 1	G  Center Liner 1
H  Side Liner 1	I  Top Liner 1	J  Graphic Front 1	K  Graphic Back 1	L  Fastener 8	M  Long Bar 3	N  Short Bar 2

1 Assemble (B) Base Tray and (C) Top Shelf by folding as shown.

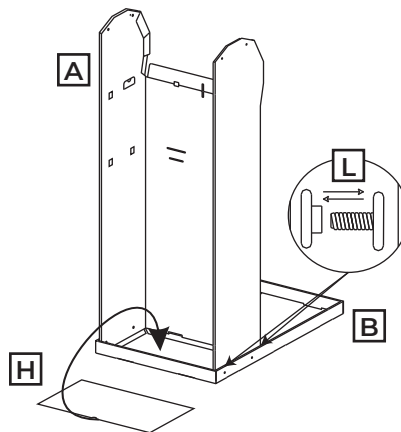
2 Assemble (D) 2nd Shelf by folding as shown.



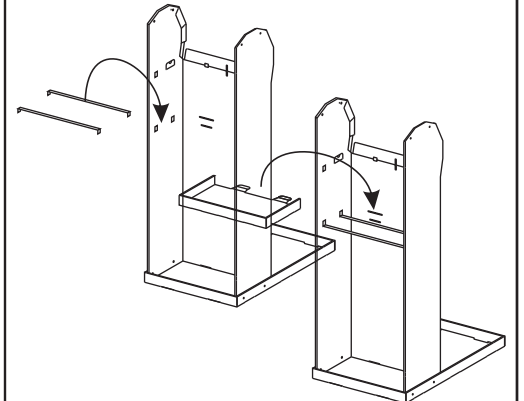
3 Square up (A) Body and insert into assembled (B) Base Tray.



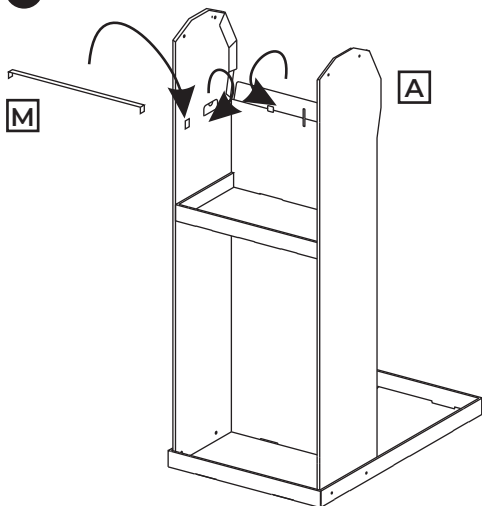
4 Insert (H) Side Liner into (B) Base Tray and attach (A) Body to (B) Base Tray with x4 (L) Fasteners.



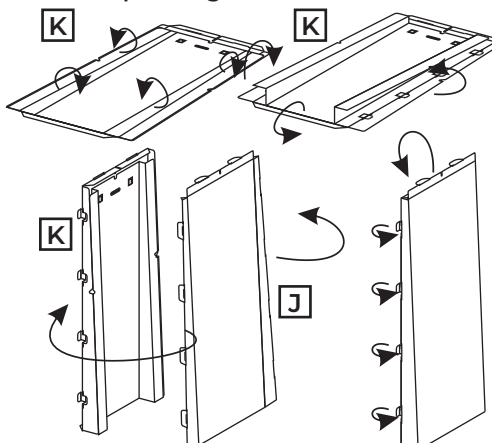
5 Install x2 (M) Long Bars at lower position and insert (D) 2nd Shelf into top slots on (A) Body; then fold tab down and insert back through the second slot to lock into place.



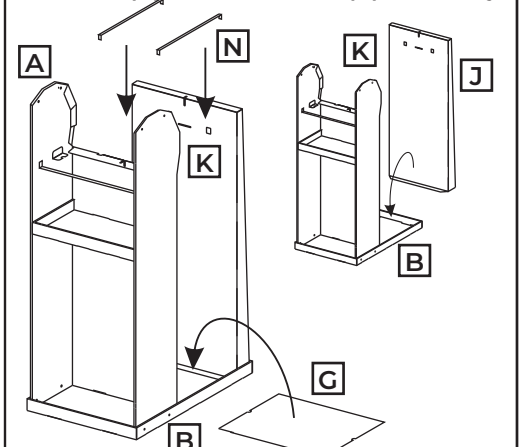
6 Install x1 (M) Long Bar at top position.



7 Assemble Graphic Box by folding (J) Graphic Front and (K) Graphic Back as shown and locking the tabs into corresponding slots.



8 Place assembled Graphic Box into (B) Base Tray. Connect (A) Body and (K) Graphic Back with x2 (N) Short Bars. Place (G) Center Liner in (B) Base Tray.

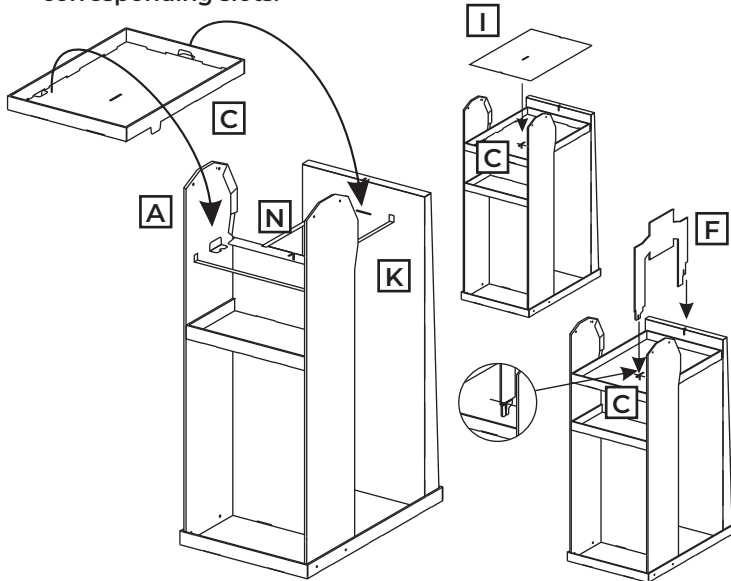




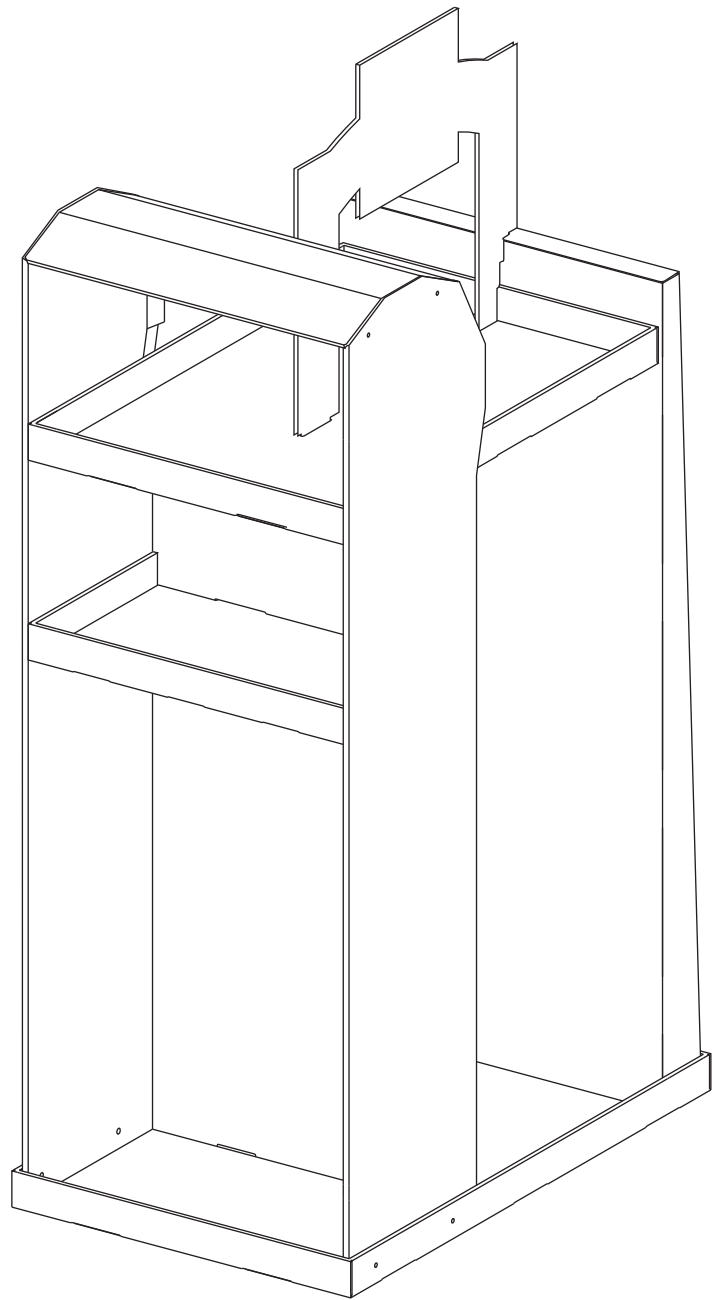
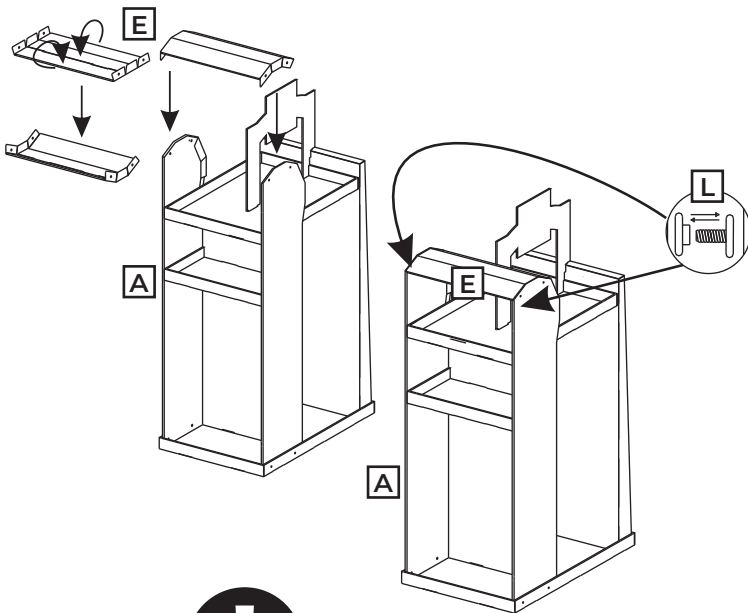
Scan the QR code or visit the web address directly to view the assembly video: displaybuilds.com/instructions_18602



9 Place (C) Top Shelf on top of (N) Short Bars and insert tabs into slots inside (A) Body and on (K) Graphic Back. Place (I) Top Liner into (C) Top Shelf, then insert (F) Header into corresponding slots.



10 Fold (E) Helmet and place on (A) Body. Secure with x4 (L) Fasteners.



MISSING PARTS / DAMAGE CLAIM INSTRUCTIONS

1. **DO NOT** discard the box or original packaging.
In the case of damaged goods caused by shipping, photo evidence will be required.
2. Take photos of the box & markings.
A photo of the markings (text) on the side of the box is required for all cases in which a replacement part is needed. This helps to identify the item number and ensures the correct parts are pulled.
3. Take photos of damage (if applicable).
A photo of the damaged part(s) is always required to file a claim and expediently process the replacement part. Please make sure you keep the box even if it is damaged.
4. Send an email with the images requested.
Email a description of the claim along with the images required above at displaybuilds.com/contact or directly to help@displaybuilds.com. Call our toll-free number 1-866-308-8368 for further assistance.