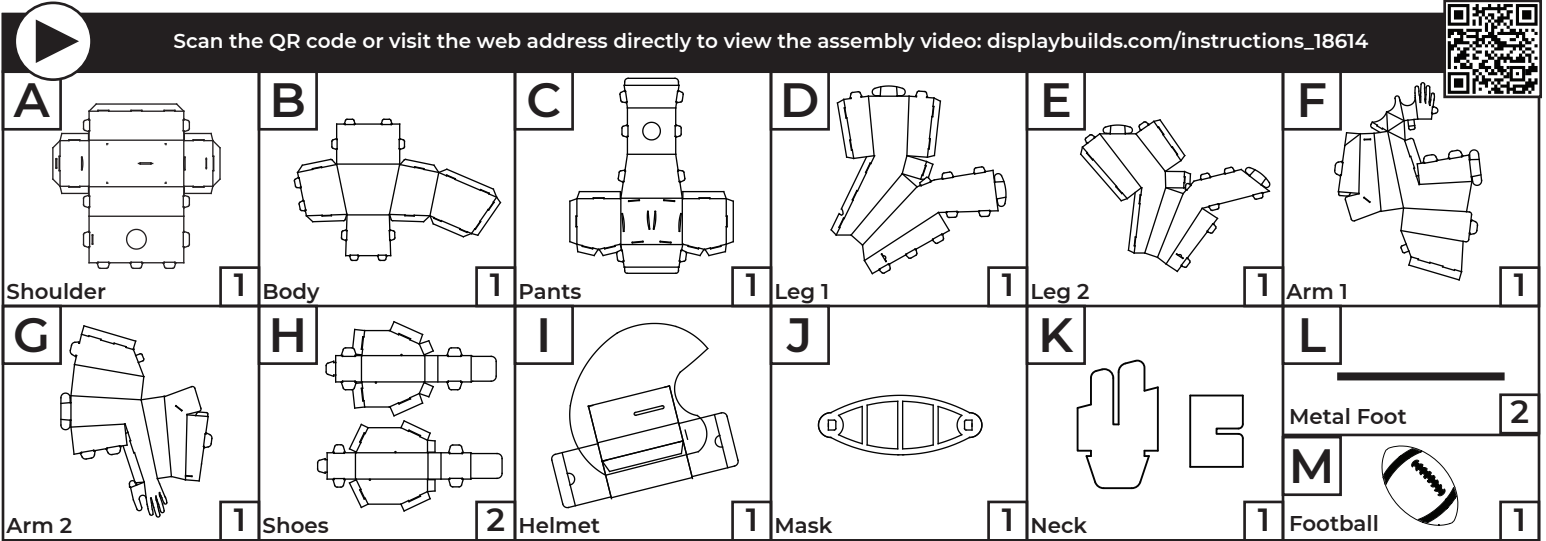


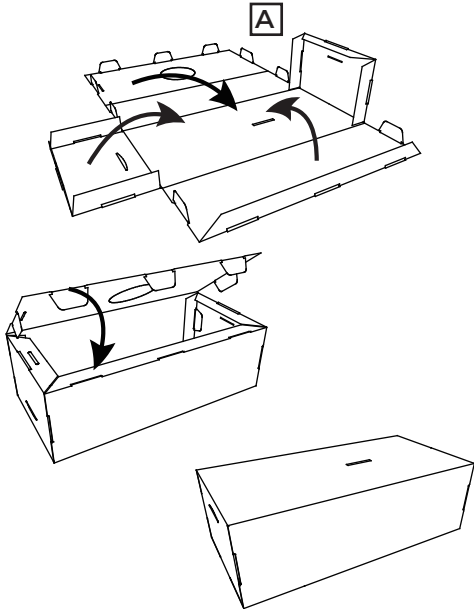
# CASO DP Football Caseman - Assembly Instructions

JOB 18614

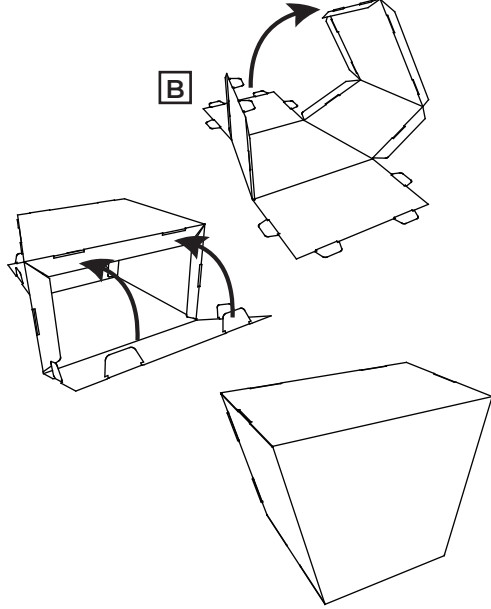
Scan the QR code or visit the web address directly to view the assembly video: [displaybuilds.com/instructions\\_18614](http://displaybuilds.com/instructions_18614)



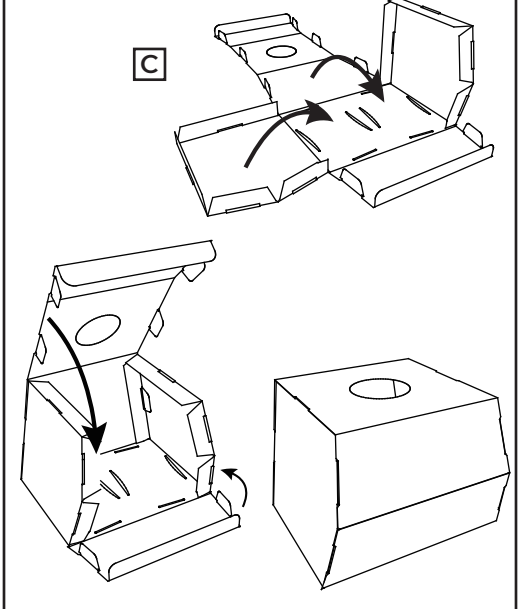
**1** Assemble (A) Shoulder by folding and locking tabs as shown below.



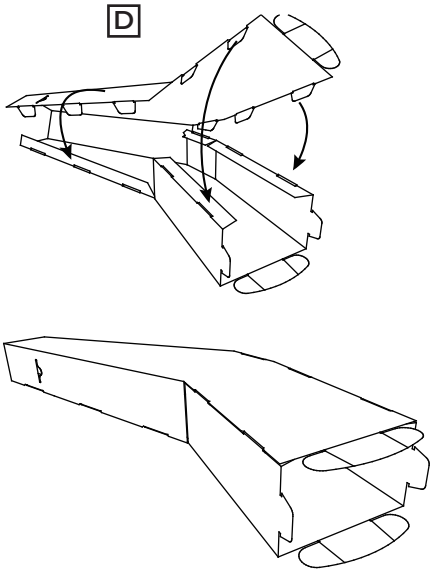
**2** Assemble (B) Body by folding and locking tabs as shown below.



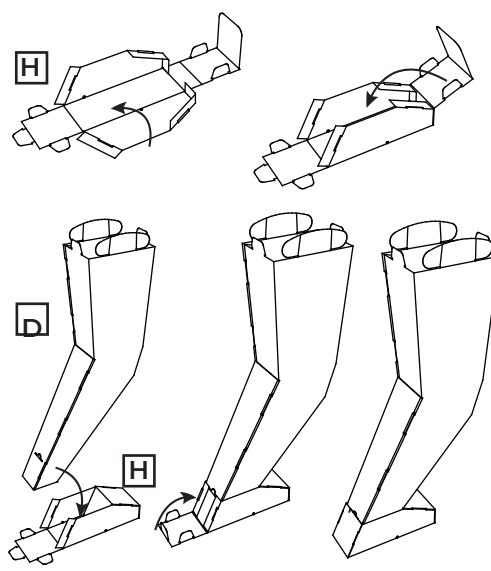
**3** Assemble (C) Pants by folding and locking tabs as shown below.



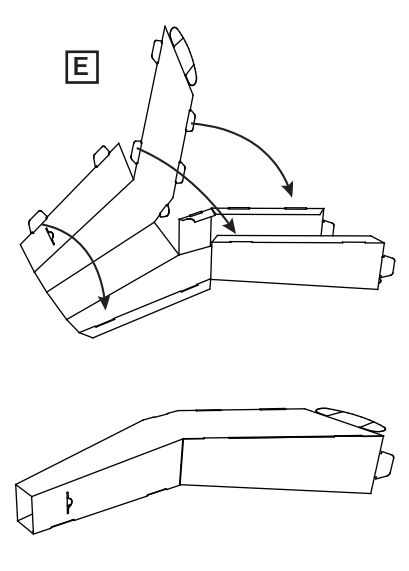
**4** Assemble (D) Leg 1 by folding and locking tabs as shown below.  
Note: Top tab of Leg 1 is marked with R.



**5** Assemble (H) Shoes as shown below.  
Then insert assembled (D) Leg 1 into (H) Shoe and secure into place.  
Note: Shoe is marked with R.



**6** Assemble (E) Leg 2 by folding and locking tabs as shown below.  
Note: Top tab of Leg 2 is marked with L.



# CASO DP Football Caseman - Assembly Instructions

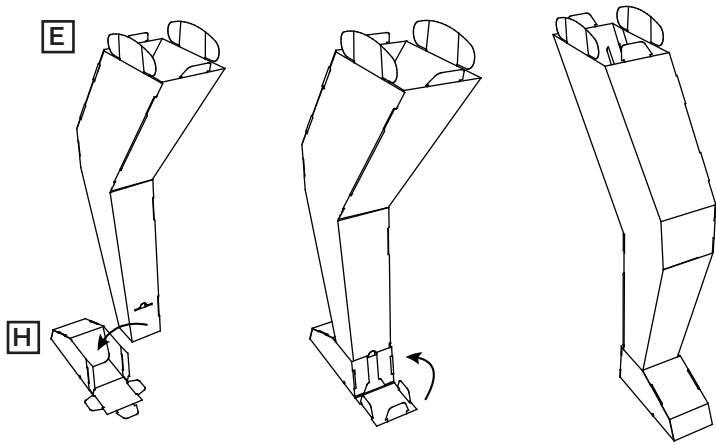
JOB 18614



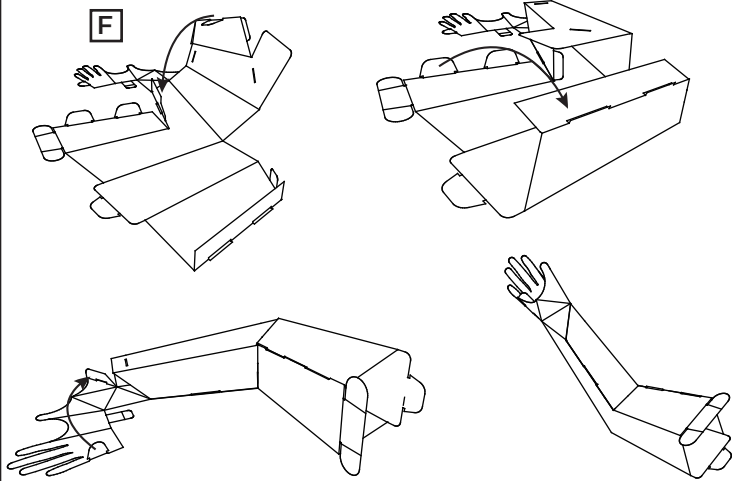
Scan the QR code or visit the web address directly to view the assembly video: [displaybuilds.com/instructions\\_18614](http://displaybuilds.com/instructions_18614)



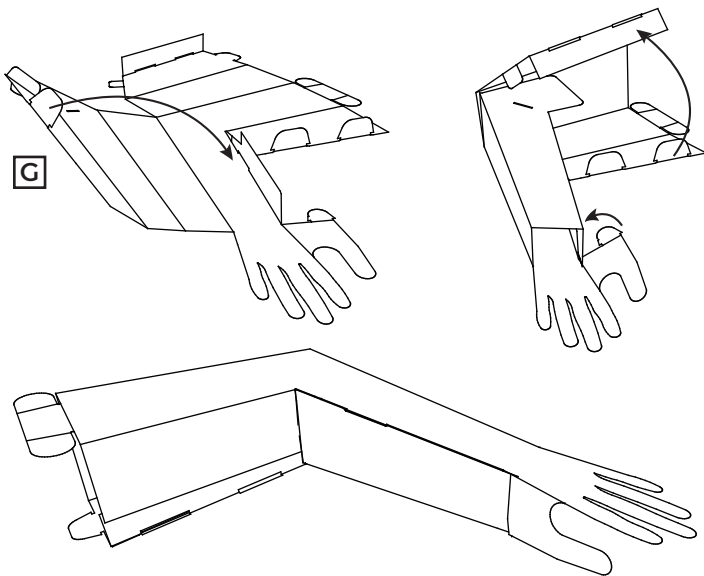
**7** Insert assembled (E) Leg 2 into (H) Shoe and secure into place. Note: Shoe is marked with L.



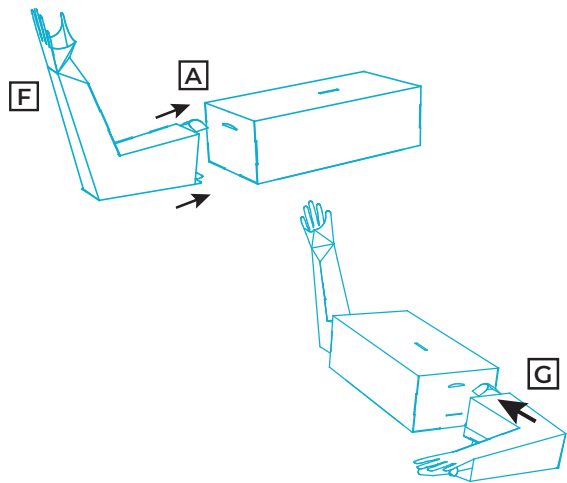
**8** Assemble (F) Arm 1 by folding and locking tabs as shown below. Note: Top tab of Arm 1 is marked with R.



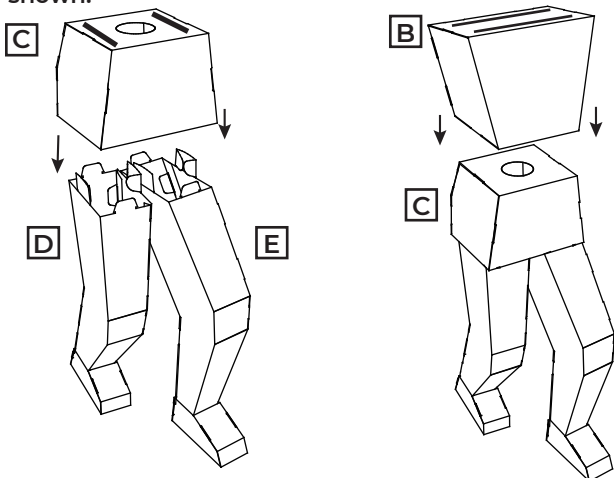
**9** Assemble (G) Arm 2 by folding and locking tabs as shown below. Note: Top tab of Arm 2 is marked with L.



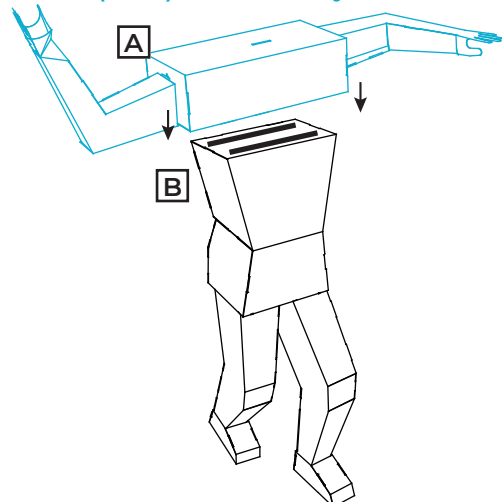
**10** Insert assembled (F & G) Arms into assembled (A) Shoulder, then reach inside (A) Shoulder and straighten out tabs on (F & G) Arms to lock into place. NOTE: Arms are labeled L & R for Left and Right but labels are reversed. Install L on the right side and R on the left side when looking at the finished Caseman from the front.



**11** Insert the (D & E) Leg tabs into the (C) Pants. Then remove backing from tape on (B) Body and attach (B) Body as shown.



**12** Remove backing from tape on (B) Body and attach (A) Shoulder and (F & G) Arm assembly as shown.

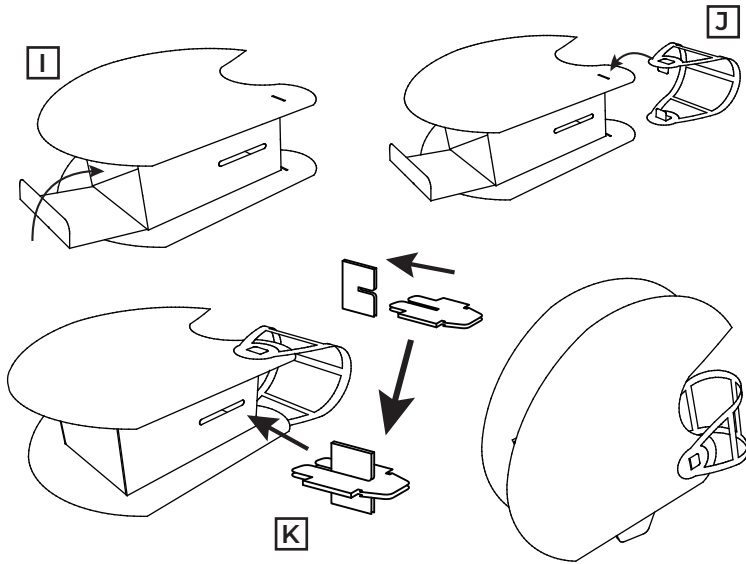




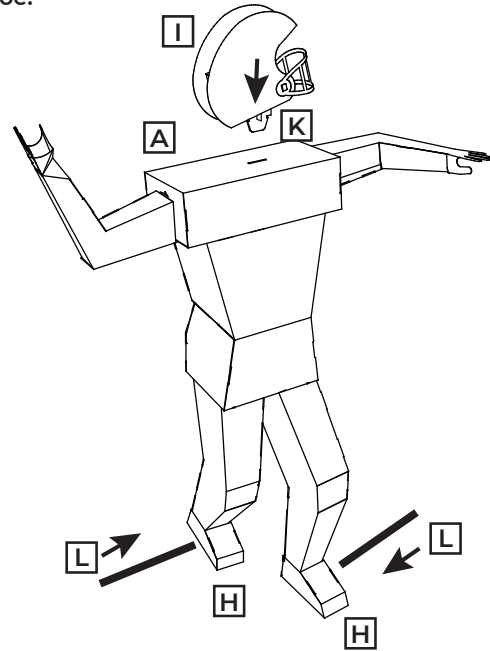
Scan the QR code or visit the web address directly to view the assembly video: [displaybuilds.com/instructions\\_18614](https://displaybuilds.com/instructions_18614)



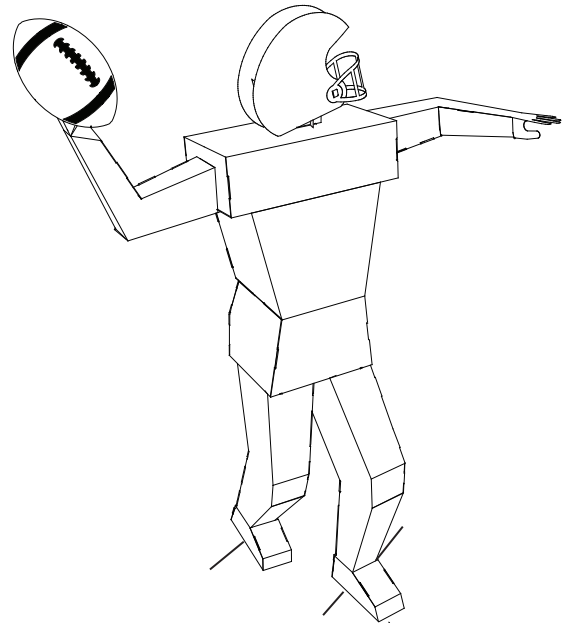
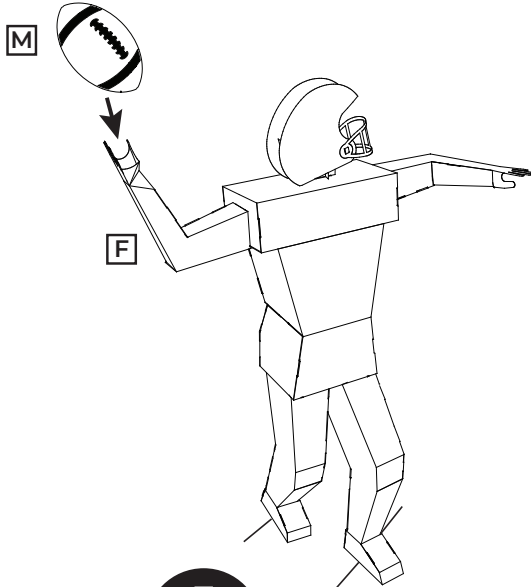
**13** Assemble (I) Helmet as shown. Then attach (J) Mask to Helmet as shown. Intersect (K) Neck pieces as shown and insert Neck into Helmet.



**14** Insert (K) Neck with (I) Helmet into top of (A) Shoulder. Lastly, insert a (L) Metal Foot through each (H) Shoe.



**15** Inflate and place (M) Football into hand on (F) Arm 1 as shown below.



## MISSING PARTS / DAMAGE CLAIM INSTRUCTIONS

1. **DO NOT** discard the box or original packaging.  
In the case of damaged goods caused by shipping, photo evidence will be required.
2. Take photos of the box & markings.  
A photo of the markings (text) on the side of the box is required for all cases in which a replacement part is needed. This helps to identify the item number and ensures the correct parts are pulled.
3. Take photos of damage (if applicable).  
A photo of the damaged part(s) is always required to file a claim and expediently process the replacement part. Please make sure you keep the box even if it is damaged.
4. Send an email with the images requested.  
Email a description of the claim along with the images required above at [displaybuilds.com/contact](https://displaybuilds.com/contact) or directly to [help@displaybuilds.com](mailto:help@displaybuilds.com). Call our toll-free number 1-866-308-8368 for further assistance.