

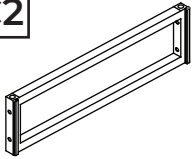
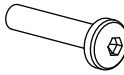
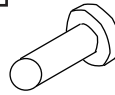
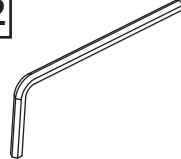


Aspire Rack - Assembly Instructions

JOB 18620



Scan the QR code or visit the web address directly to view the assembly video: displaybuilds.com/instructions_18620

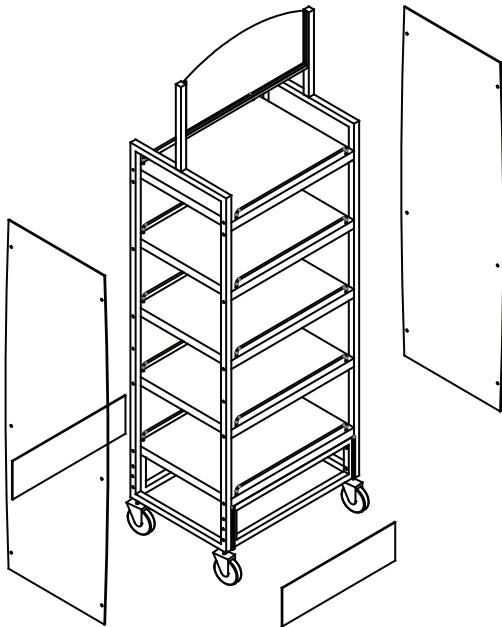


C2 	I2 	J2 	K2 	L 	M 
1 NEW Base Frame	2 NEW Bolt	8 NEW Push Clips	12 NEW Allen Key	1 Washer	8 Wrench

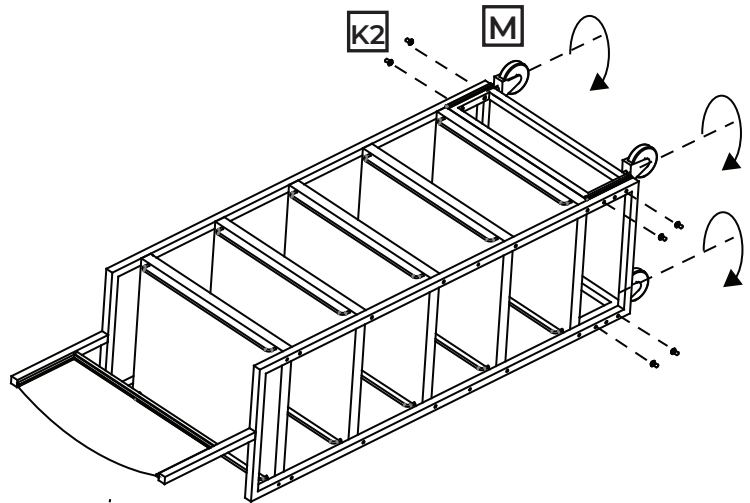
Part numbers above correlate to original Assembly Instructions

The following instructions outline the replacement of the Base Frames on an existing and assembled Aspire Rack. Note that the graphic panels and casters from the original rack will be reused.

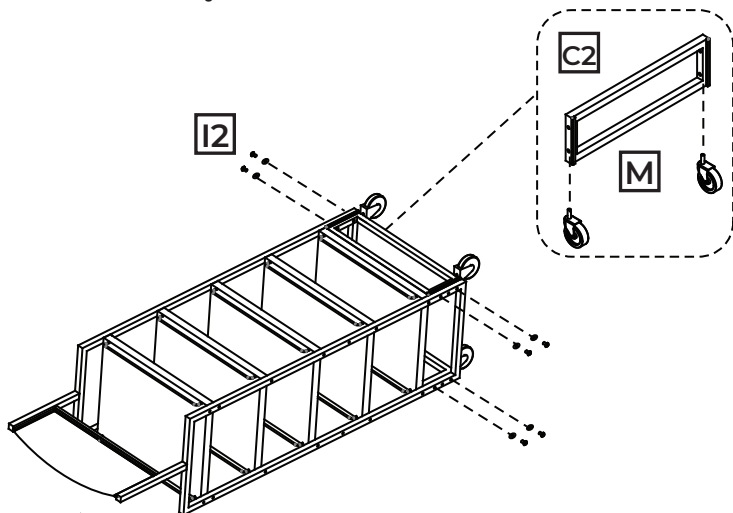
- Carefully remove Push Clips in Side Graphics on existing rack, cutting the clips if necessary to avoid damaging the graphics. Also remove x2 Base Graphics. Set all graphic panels aside to reuse.



- Lay rack on soft surface to prevent scratching, and unthread x4 Casters with (M) Wrench. Also remove x2 Base Frames by unfastening x8 Bolts with (K2) Allen Key.



- Install removed Casters by threading x2 Locking into one (C2) NEW Base Frame and x2 Non-Locking into the other (C2) NEW Base Frame; tighten all with (M) Wrench. Then attach each (C2) NEW Base Frame to each Side Frame with x8 (I2) NEW Bolts and (L) Washers and tighten all with (K2) NEW Allen Key.



- Reinstall Side Graphics with x12 (J2) NEW Push Clips, and Base Graphics by inserting into each (C2) NEW Base Frames.

