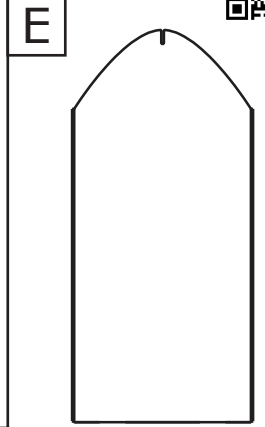
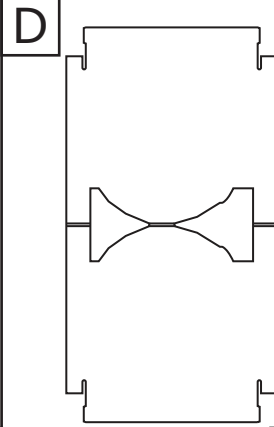
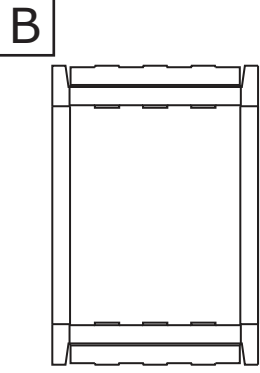
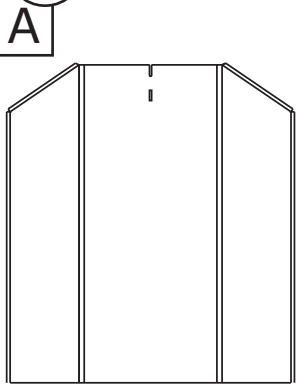


KDP Dollar General Small Football Display - Assembly Instructions

JOB 18931



Scan the QR code or visit the web address directly to view the assembly video: displaybuilds.com/instructions_18931



Body

1 Base Tray

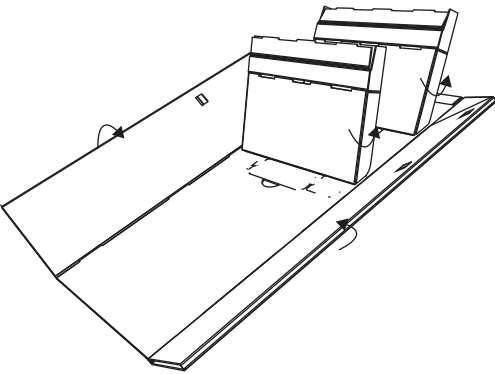
1 Support Bar

2 Header

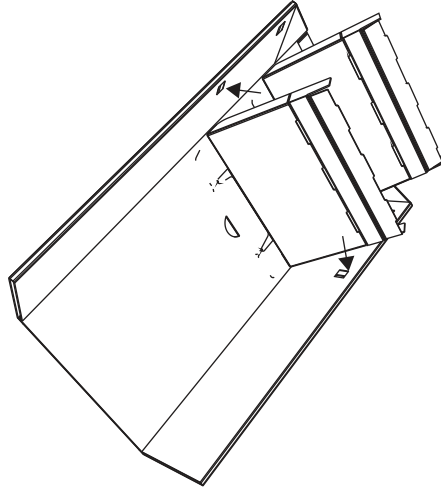
1 Side Panel

1

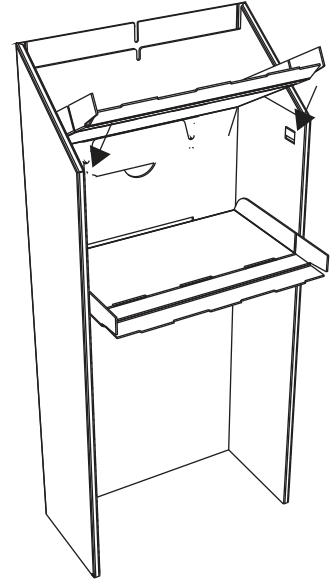
1 On (A) Body, fold sides of shelves and display up as shown.



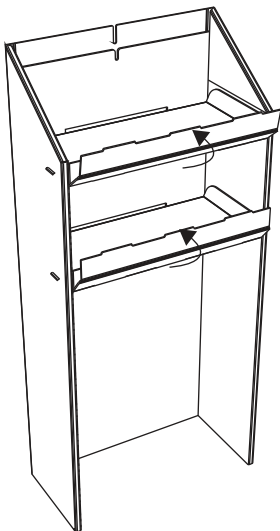
2 Attach x1 (C) Support Bar to sides of (A) Body below lower shelf.



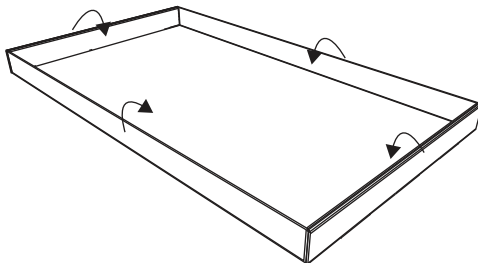
3 Stand (A) Body up and attach x1 (C) Support Bar to sides of (A) Body below top shelf.



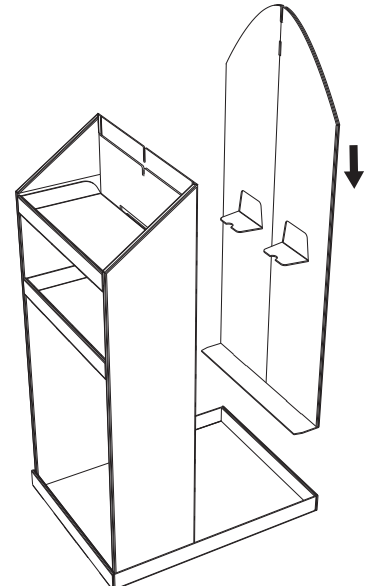
4 Fold shelf lips up and over side tabs and lock into place.



5 Assemble (B) Base Tray by folding small tabs inward, and sides up and over them to lock into place.



6 Place assembled (A) Body and (E) Side Panel into (B) Base Tray as shown.

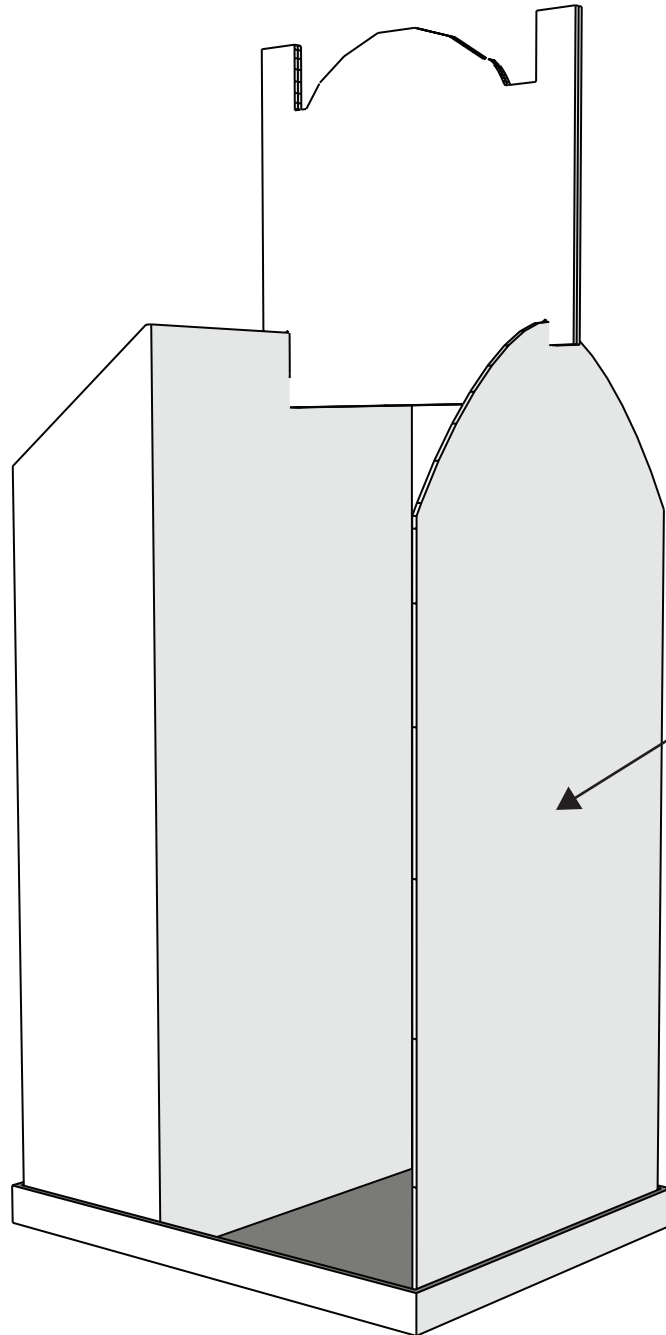
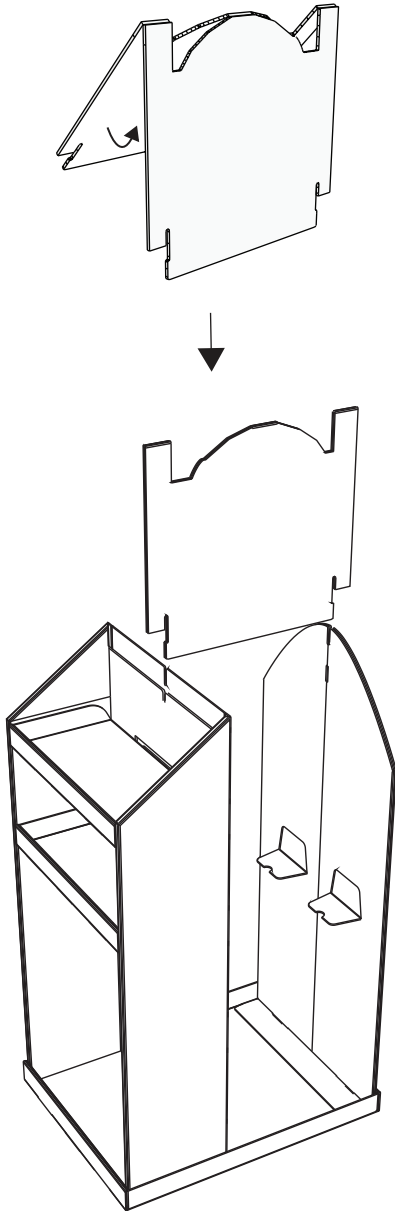




Scan the QR code or visit the web address directly to view the assembly video: displaybuilds.com/instructions_18931



7 Fold (D) Header over. Then insert in the back of (A) Body and (E) Side Panel to connect them and complete assembly.



Note: When packing display, place product on flaps to help keep graphic upright.



MISSING PARTS / DAMAGE CLAIM INSTRUCTIONS

1. **DO NOT** discard the box or original packaging.
In the case of damaged goods caused by shipping, photo evidence will be required.
2. Take photos of the box & markings.
A photo of the markings (text) on the side of the box is required for all cases in which a replacement part is needed. This helps to identify the item number and ensures the correct parts are pulled.
3. Take photos of damage (if applicable).
A photo of the damaged part(s) is always required to file a claim and expediently process the replacement part. Please make sure you keep the box even if it is damaged.
4. Send an email with the images requested.
Email a description of the claim along with the images required above at displaybuilds.com/contact or directly to help@displaybuilds.com. Call our toll-free number 1-866-308-8368 for further assistance.