

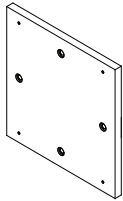
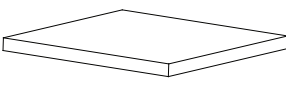
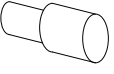
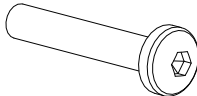
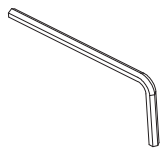
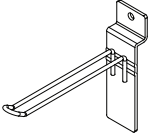
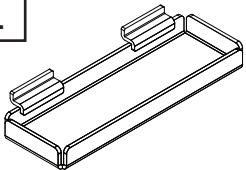
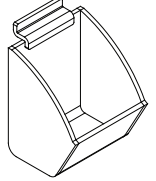




Scan the QR code or visit the web address directly to view the assembly video: displaybuilds.com/instructions_18920



A  Base	B  Tower	C  Rotating Panel	D  Shelf	E  Shelf Peg
F  Bolt	G  Tool	H  4" Hook	I  Acrylic Shelf	J  Acrylic Bin

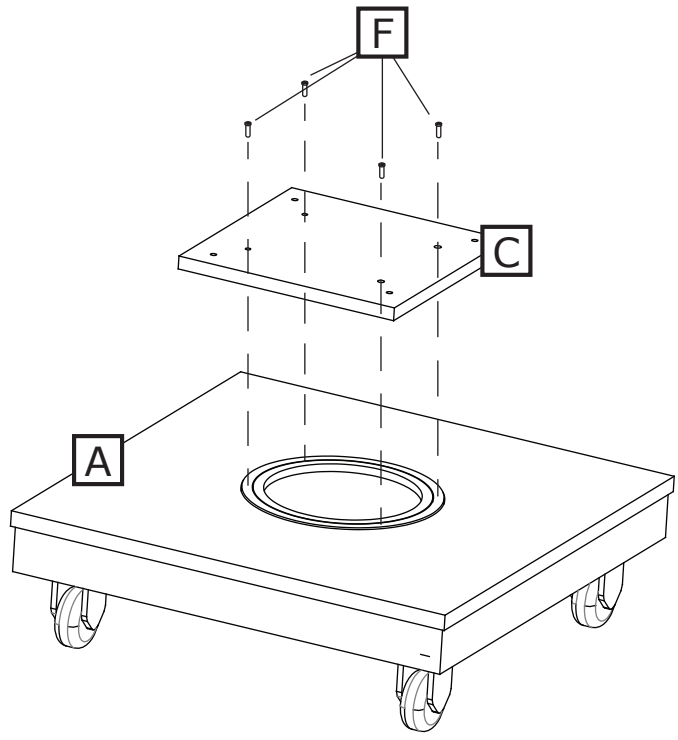
CAUTION

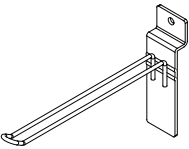
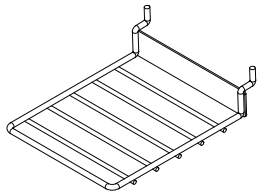


Maximum Load Capacity:

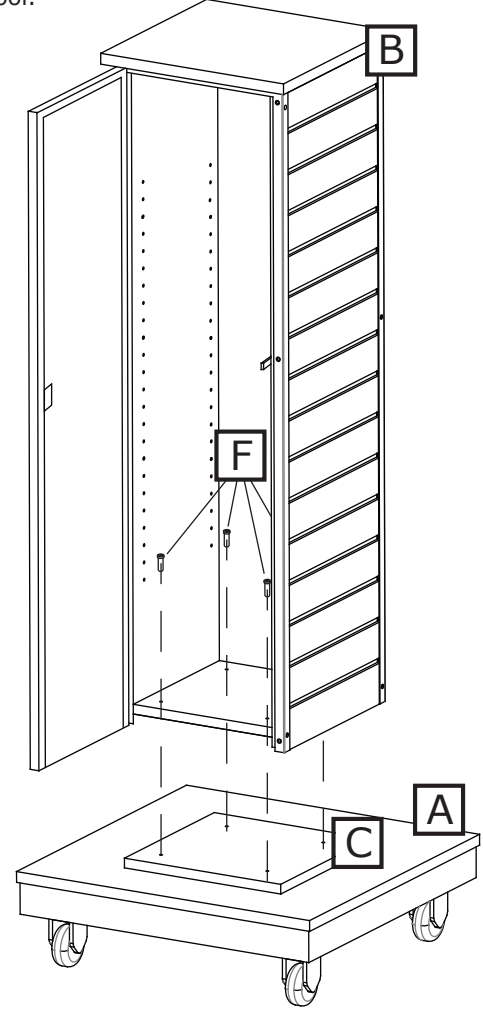
- Door: Up to 18 lbs
- Side: Up to 42 lbs
- Shelf: Up to 40 lbs
- Hooks: Up to 1.3 lbs
- Acrylic Holders: Up to 5 lbs
- Ladder: Total up to 5 lbs, single wire - up to 1.3 lbs

1 Secure (C) Rotating Panel to (A) Base with x4 (F) Bolts and tighten with (G) Tool.



K  6" Hook	L  Ladder
---	---

2 Remove the boxes from inside the (B) Tower and leave the door open. Place (B) Tower around (C) Rotating Panel on (A) Base. Secure (B) Tower with x4 (F) Bolts and tighten with (G) Tool.

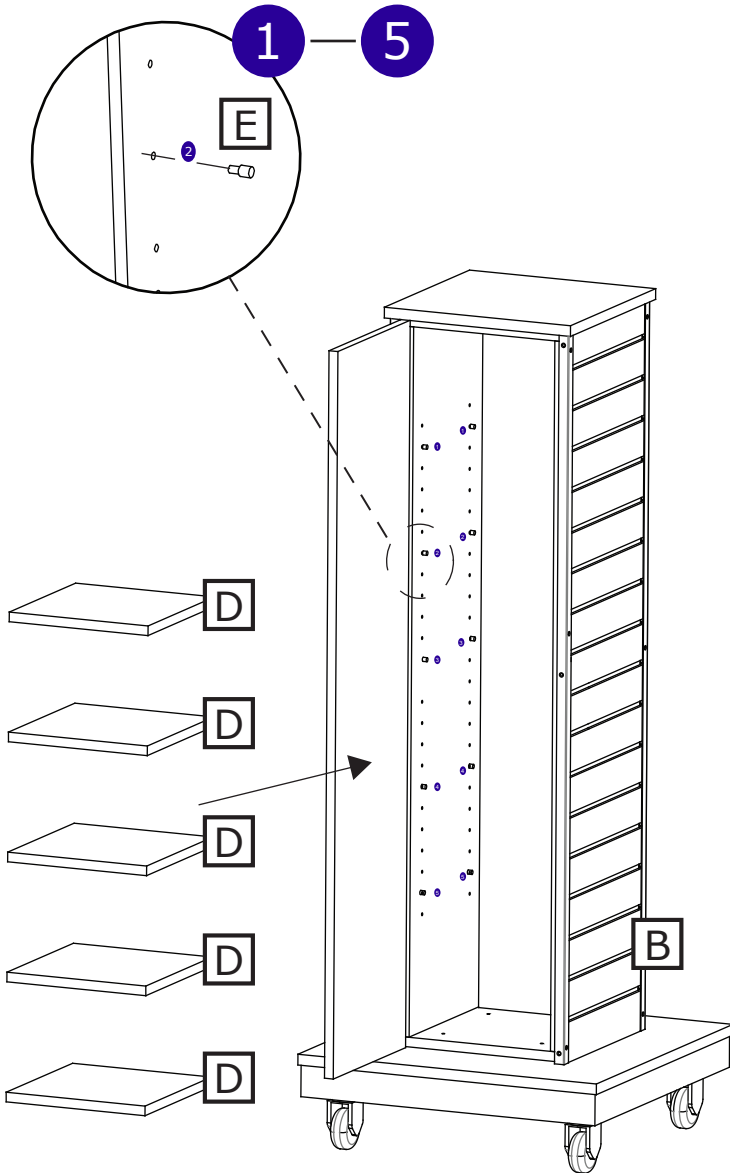




Scan the QR code or visit the web address directly to view the assembly video: displaybuilds.com/instructions_18920

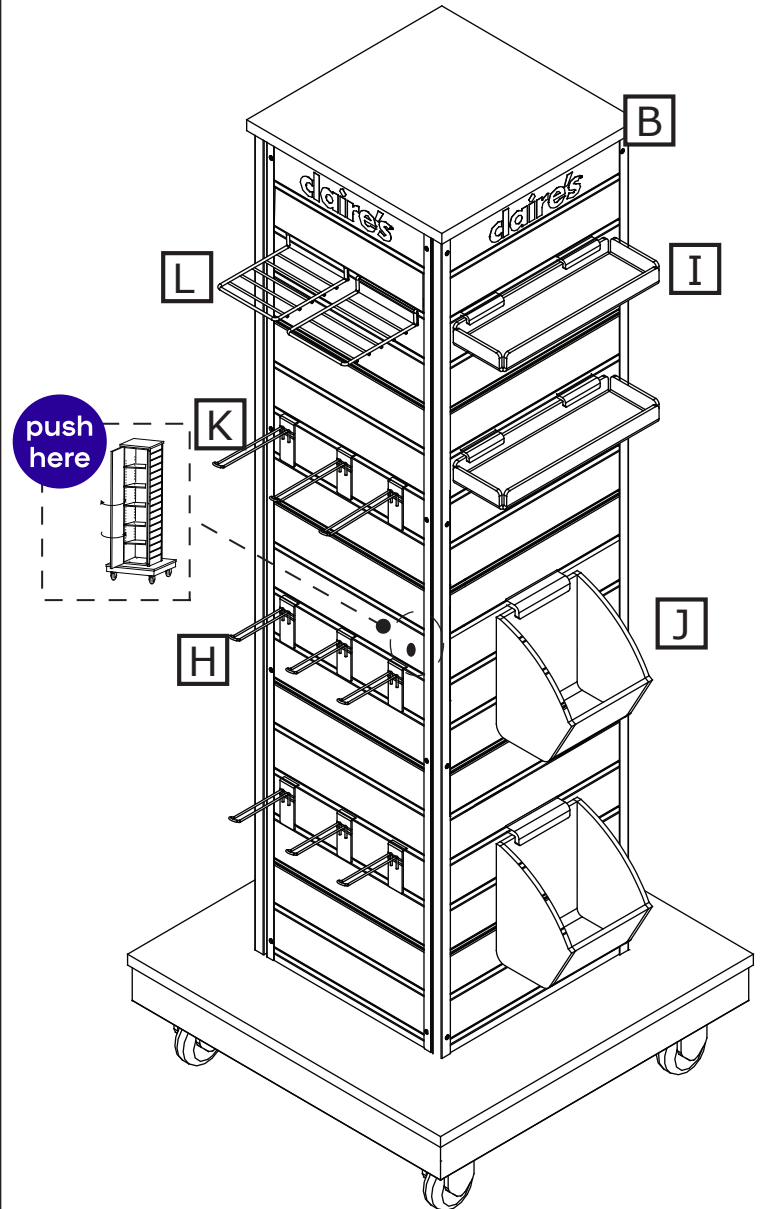


3 Insert x20 (E) Shelf Pegs at indicated heights for each (D) Shelf (x5). Place (D) Shelves on top of (E) Shelf Pegs.



4 Install (H) 4" Hooks, (K) 6" Hooks, (L) Ladders, (I) Acrylic Shelves, and (J) Acrylic Bins according to planogram.

NOTE: Below is only an example. Reference final planogram for correct placements.



MISSING PARTS / DAMAGE CLAIM INSTRUCTIONS

1. **DO NOT** discard the box or original packaging.

In the case of damaged goods caused by shipping, photo evidence will be required.

2. Take photos of the box & markings.

A photo of the markings (text) on the side of the box is required for all cases in which a replacement part is needed. This helps to identify the item number and ensures the correct parts are pulled.

3. Take photos of damage (if applicable).

A photo of the damaged part(s) is always required to file a claim and expediently process the replacement part. Please make sure you keep the box even if it is damaged.

4. Send an email with the images requested.

Email a description of the claim along with the images required above at displaybuilds.com/contact or directly to help@displaybuilds.com. Call our toll-free number 1-866-308-8368 for further assistance.