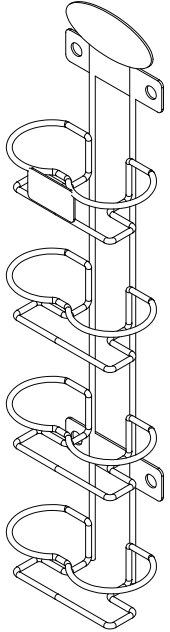
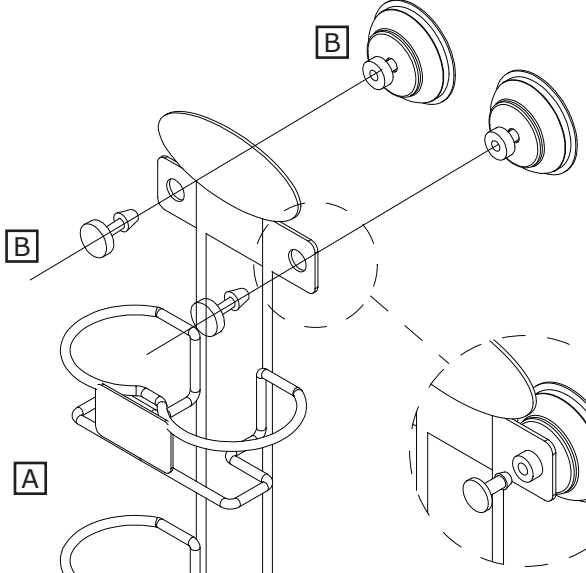
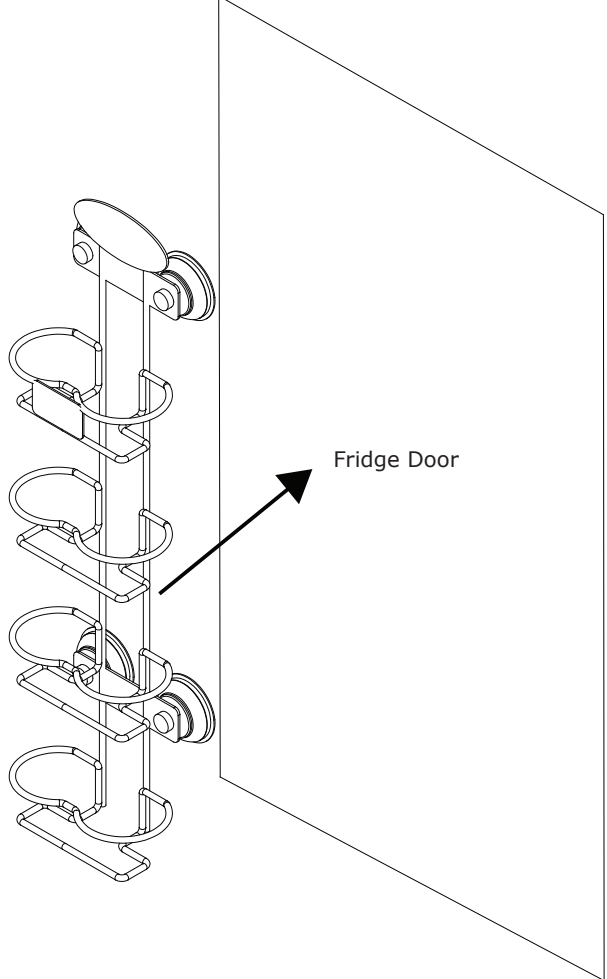
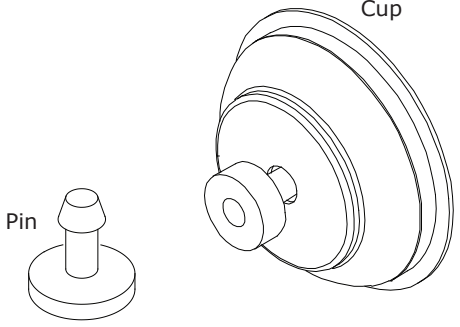


<p>A</p>  <p>Rack</p>	<p>1 Insert (B) Suction Cup into the (A) Rack, then insert (B) Suction Cup Pin into the Cup.</p> <p>Repeat to assemble the rest of all the Suction Cups.</p> 	<p>2 Make sure the surface of the Suction Cups and the fridge door are clean and smooth. Firmly press x4 (B) Suction Cups onto the fridge door without getting any air in.</p>  <p>Fridge Door</p>
<p>B</p>  <p>Cup</p> <p>Pin</p>	<p>4</p> 