

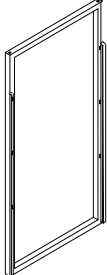
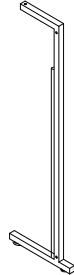
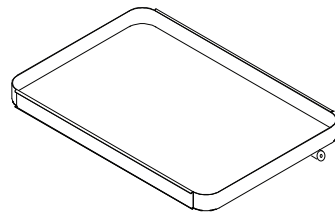
KDP DG 20oz Rack (Small) - Assembly Instructions

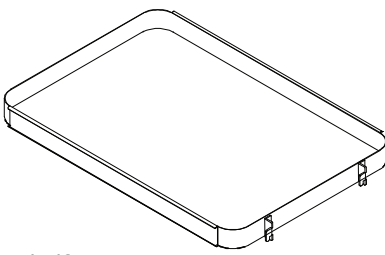
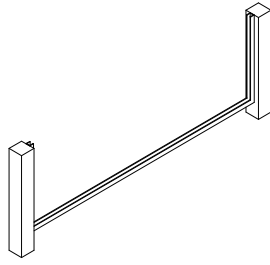

JOB 19167

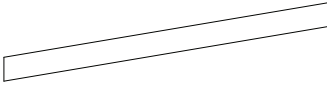
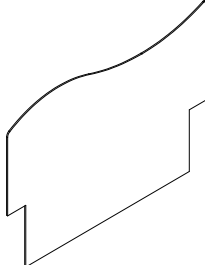
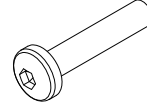
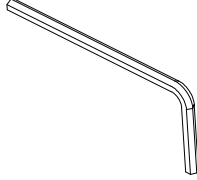


Scan the QR code or visit the web address directly to view the assembly video: displaybuilds.com/instructions_19167



<p>A</p>  <p>Back Frame</p>	<p>B</p>  <p>Side Frame</p>	<p>C</p>  <p>Top/Bottom Shelves</p>
---	---	---

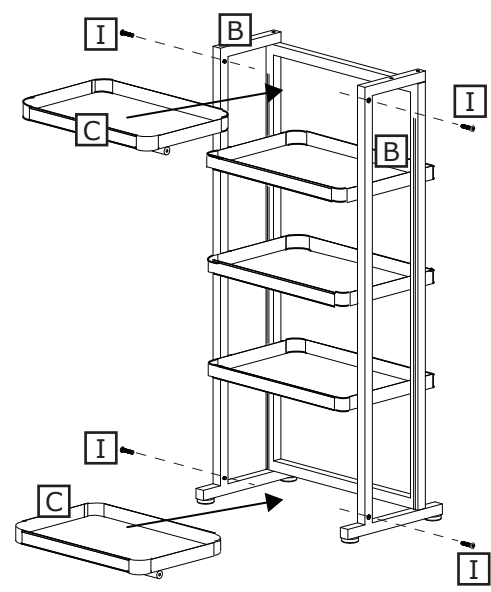
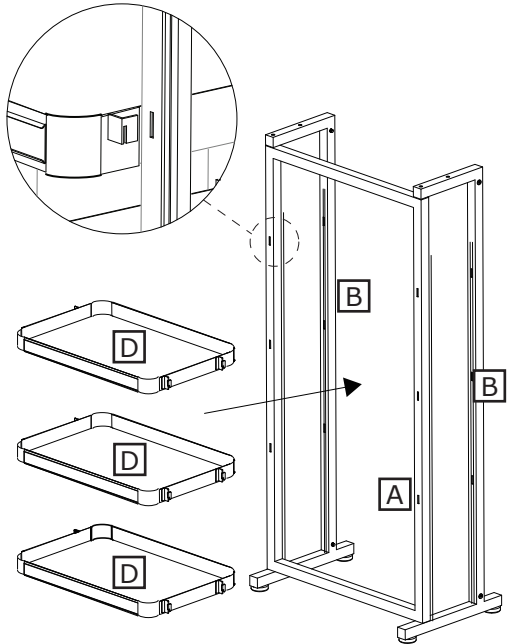
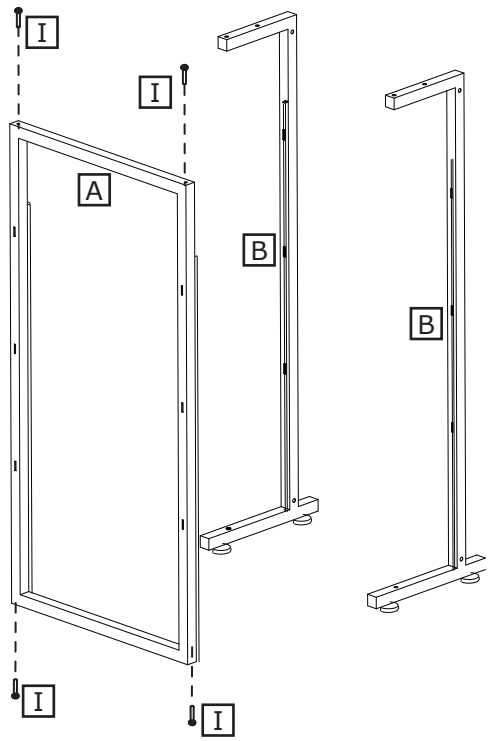
<p>D</p>  <p>Middle Shelf</p>	<p>E</p>  <p>Header Frame</p>	<p>F</p>  <p>Side Graphic</p>
---	---	---

<p>G</p>  <p>Channel Strip</p>	<p>H</p>  <p>Header Graphic</p>	<p>I</p>  <p>Bolt</p>	<p>J</p>  <p>Allen Key</p>
--	--	---	---

1 Attach x2 (B) Side Frames to (A) Back Frame with x4 (I) Bolts and tighten with (J) Allen Key.

2 Hook each (D) Middle Shelf into corresponding locations on (A) Back and (B) Side Frames.

3 Attach x2 (C) Top/Bottom Shelves (with Support Bar) to (B) Side Frames with x4 (I) Bolts and tighten with (J) Allen Key.

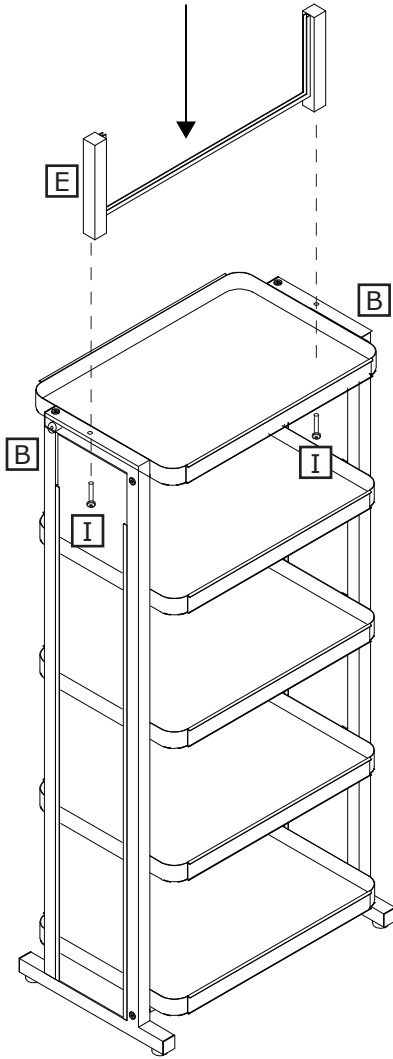




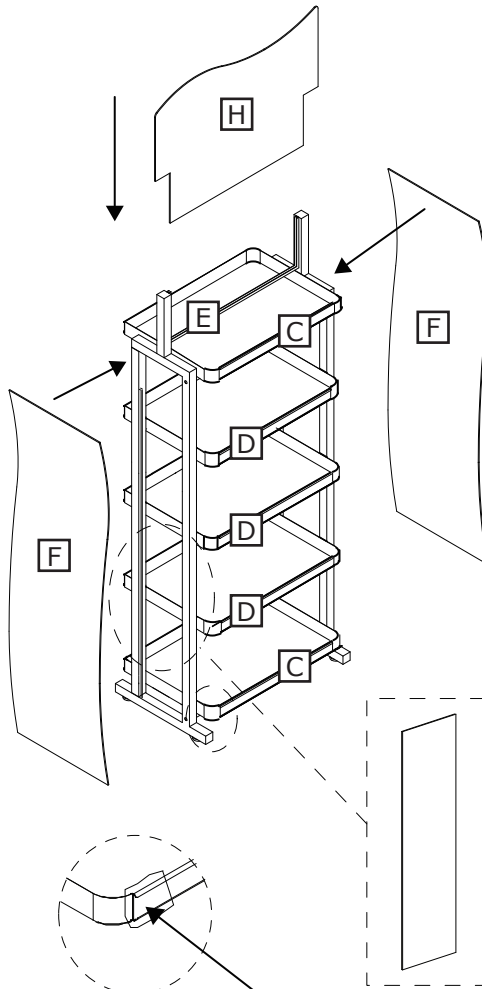
Scan the QR code or visit the web address directly to view the assembly video: displaybuilds.com/instructions_19167



4 Attach (E) Header Frame to (B) Side Frames with x2 (I) Bolts and tighten with (J) Allen Key.

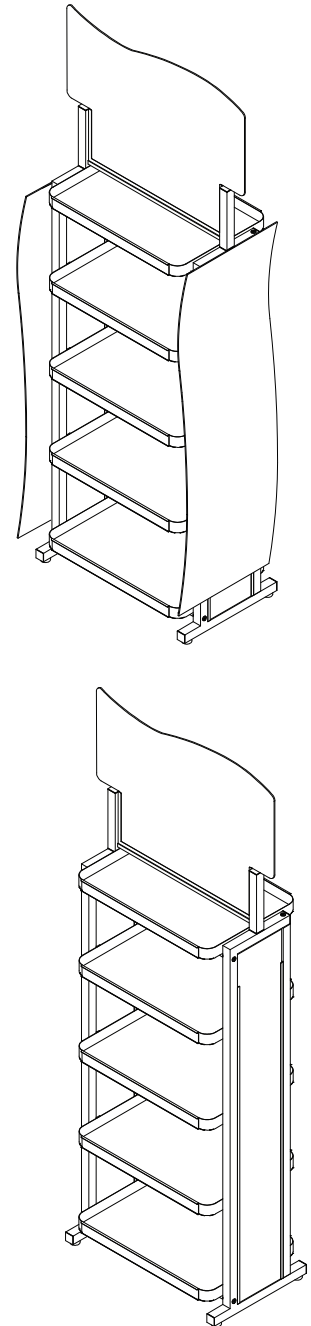


5 Slide (H) Header Graphic into (E) Header Frame. Slide each (G) Side Graphic into (B) Side Frames, or attach each (G) Side Graphic to the (B) Side Frames with the magnets on the back.



Remove foils at both ends of Channel Strips.

6 Assembly is completed.



MISSING PARTS / DAMAGE CLAIM INSTRUCTIONS

1. **DO NOT** discard the box or original packaging.
In the case of damaged goods caused by shipping, photo evidence will be required.
2. Take photos of the box & markings.
A photo of the markings (text) on the side of the box is required for all cases in which a replacement part is needed. This helps to identify the item number and ensures the correct parts are pulled.
3. Take photos of damage (if applicable).
A photo of the damaged part(s) is always required to file a claim and expediently process the replacement part. Please make sure you keep the box even if it is damaged.
4. Send an email with the images requested.
Email a description of the claim along with the images required above at displaybuilds.com/contact or directly to help@displaybuilds.com. Call our toll-free number 1-866-308-8368 for further assistance.