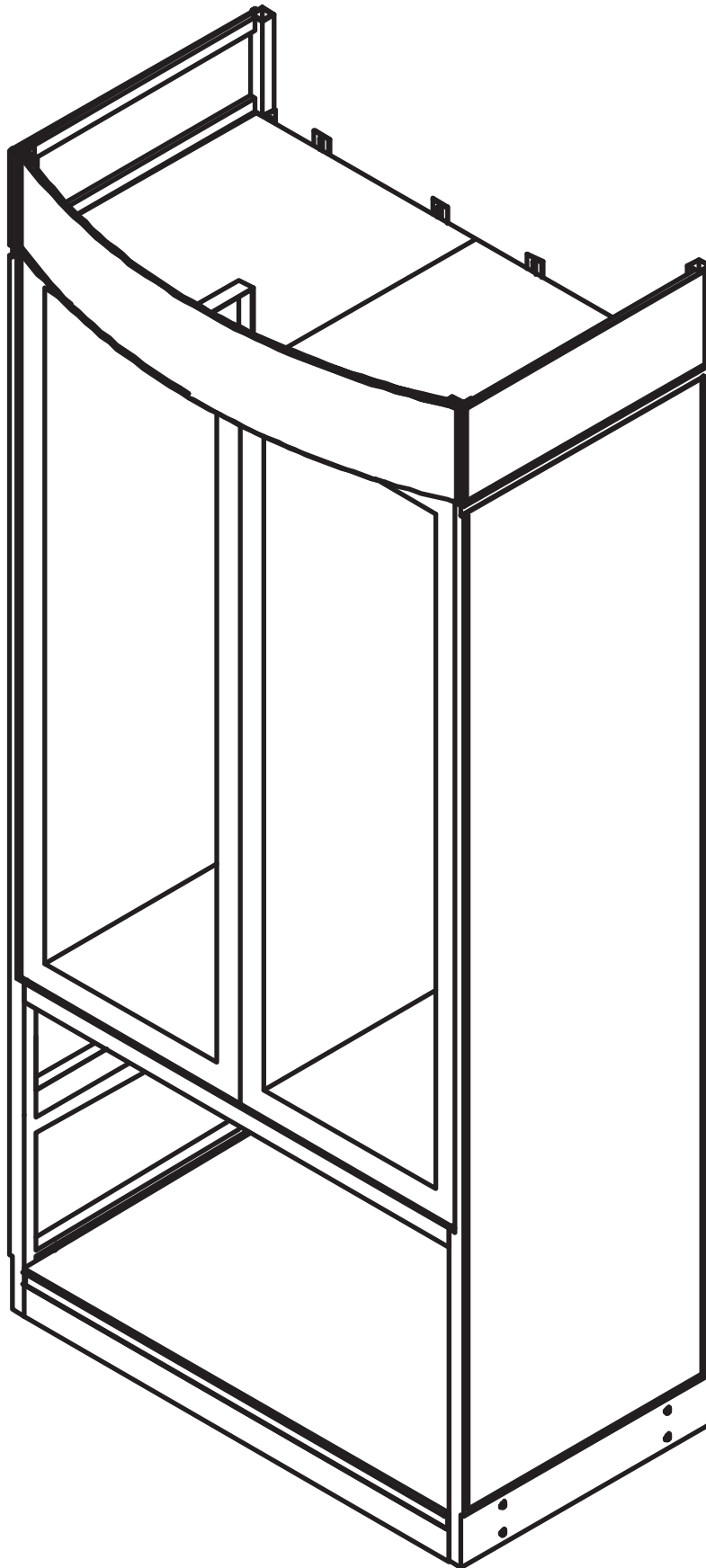




Scan the QR code or visit the web address directly to view the assembly video: displaybuilds.com/instructions_20008



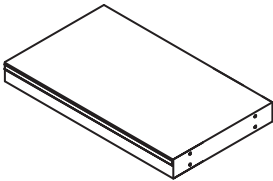


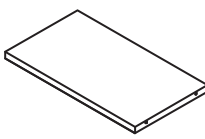
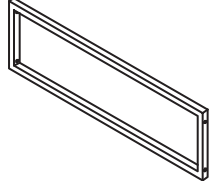
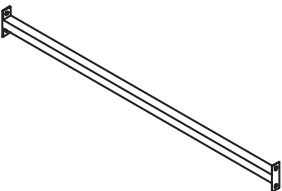
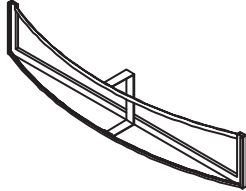
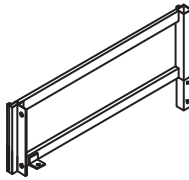
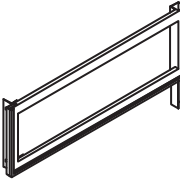
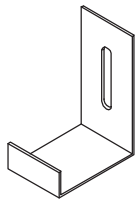

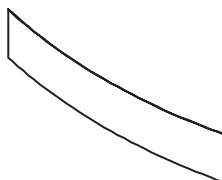
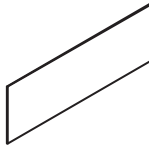

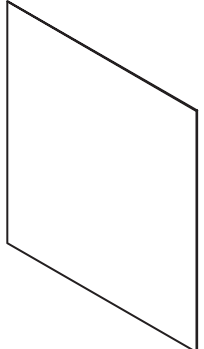
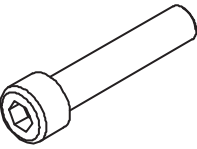
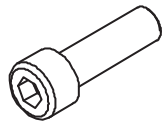
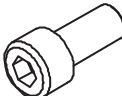
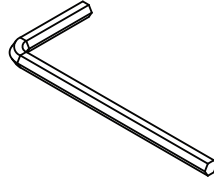
Coca-Cola 2025 End Cap 4.0 (GS-5 Cooler) - Assembly Instructions

JOB 20008



Scan the QR code or visit the web address directly to view the assembly video: displaybuilds.com/instructions_20008



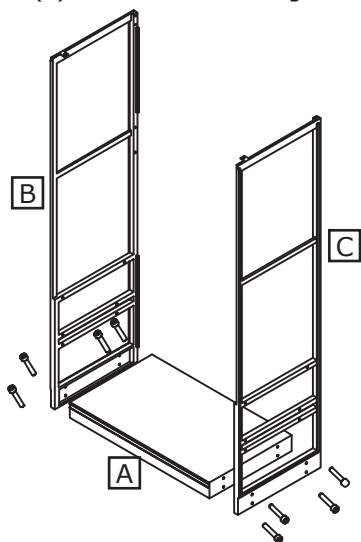
<p>A</p>  <p>Base 1</p>	<p>B</p>  <p>Left Side Frame 1</p>	<p>C</p>  <p>Right Side Frame 1</p>	<p>D</p>  <p>Cooler Shelf 1</p>	<p>E</p>  <p>Middle Brace 1</p>
<p>F</p>  <p>Top Brace 1</p>	<p>G</p>  <p>Header Frame 1</p>	<p>H</p>  <p>Left Side Header Frame 1</p>	<p>I</p>  <p>Right Side Header Frame 1</p>	<p>J</p>  <p>Cooler Brackets 4</p>
<p>K</p>  <p>Gondola Brackets 2</p>	<p>L</p>  <p>Front Header POS 1</p>	<p>M</p>  <p>Side Header POS 1</p>	<p>N</p>  <p>Side POS 2</p>	<p>O</p>  <p>Back Panel 2</p>
<p>P</p>  <p>M8x40 Bolts 16</p>	<p>Q</p>  <p>M8x16 Bolts 10</p>	<p>R</p>  <p>M8x12 Bolts 6</p>	<p>S</p>  <p>Tool 1</p>	



Scan the QR code or visit the web address directly to view the assembly video: displaybuilds.com/instructions_20008

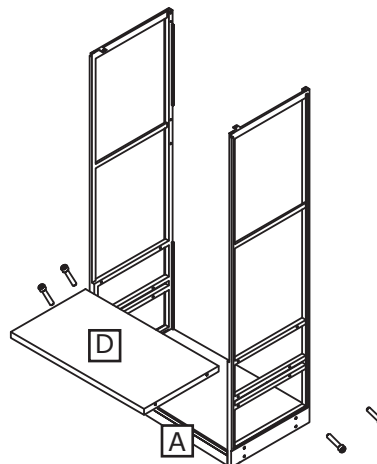


1 Attach (B) Left Side Frame and (C) Right Side Frame to (A) Base with x8 (P) M8x40 Bolts and tighten with (S) Tool.



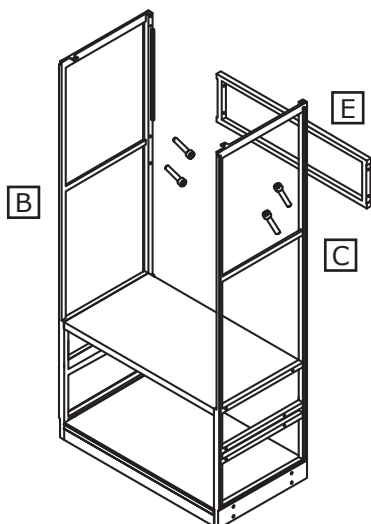
Px8

2 Insert Channel Strip POS into front Channel Slides of (A) Base if not preinstalled. Then install (D) Cooler Shelf with x4 (P) M8x40 Bolts and tighten with (S) Tool.



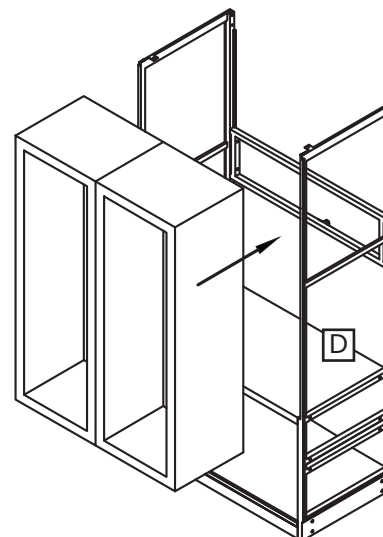
Px4

3 Attach (E) Middle Brace with x4 (P) M8x40 Bolts to back of (B & C) Side Frames and tighten with (S) Tool.

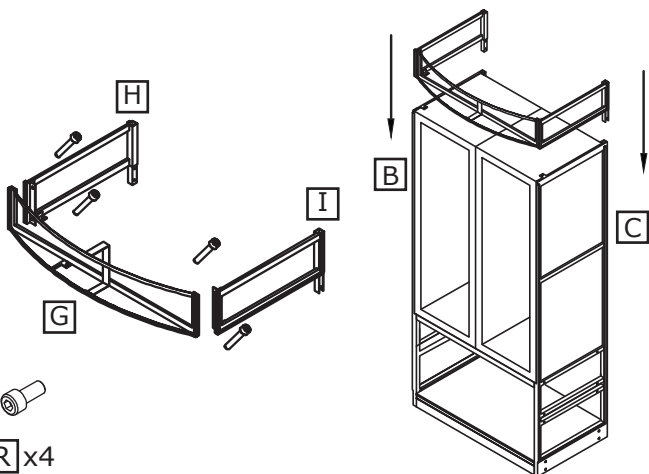


Px4

4 Place Cooler onto the (D) Cooler Shelf.

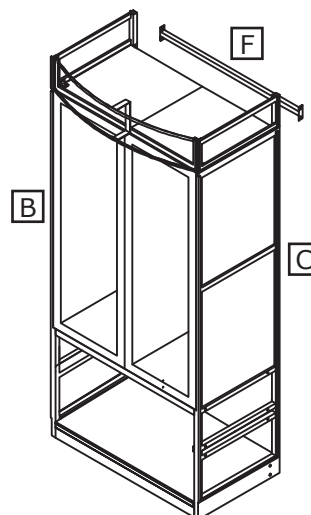


5 Assemble Header by securing the (H) and (I) Header Side Frames to the (G) Front Header Frame using x4 (R) M8x12 Bolts. Then Place the frame into the slots located at the rear of the (B) and (C) Side Frames.



Rx4

6 Install (F) Top Brace onto the rear of the (B) and (C) side frames and use x4 (Q) M8x16 Bolts to secure the Brace and Header Frame to the Side Frames.

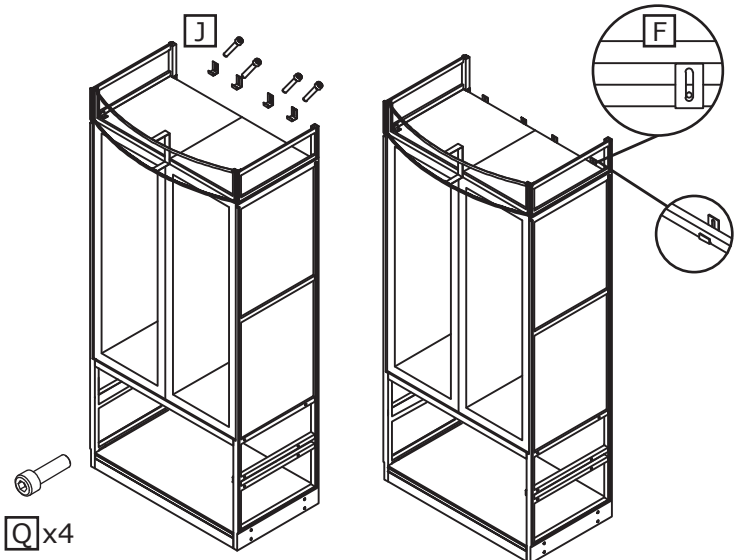


Qx4

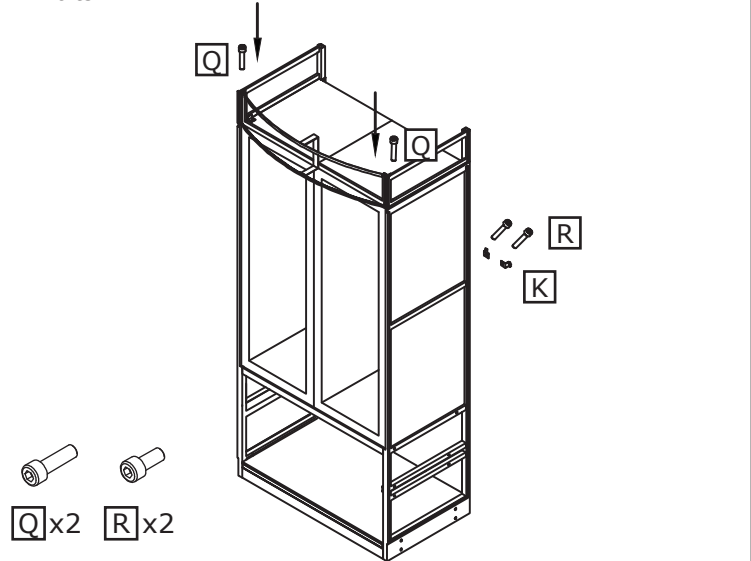


Scan the QR code or visit the web address directly to view the assembly video: displaybuilds.com/instructions_20008

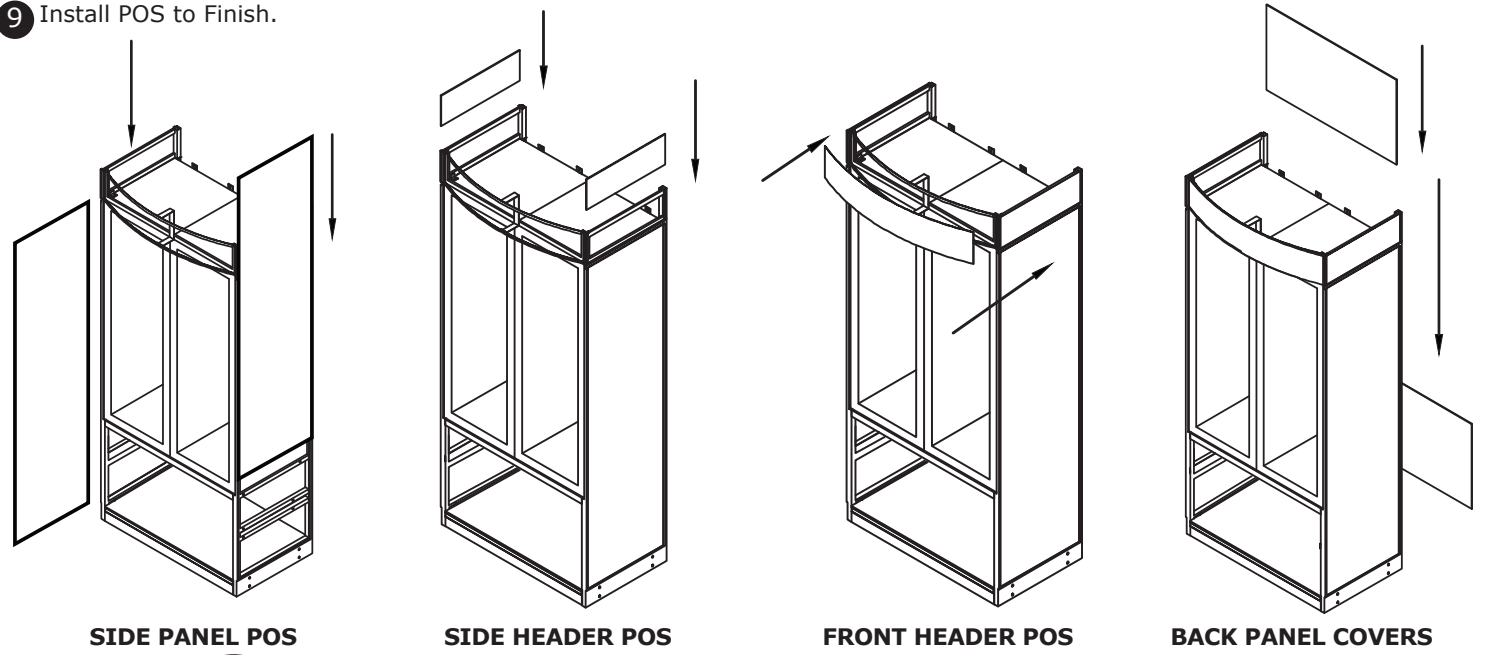
7 Secure Coolers to the display by hooking the (J) Cooler Brackets onto the coolers. Be sure to line them up with the holes located on the back of the (F) Top Brace and secure each of the x4 Cooler Hooks with one of the x4 (Q) M8x16 Bolts.



8 Finish securing the Header frame to the Side frames by locating and lining up the tabs on the Side Frames with the Tabs on the Side Headers. Secure using x2 (Q) M8x16 Bolts. Secure (K) Gondola Brackets to the display using x2 (R) M8x12 Bolts.



9 Install POS to Finish.



MISSING PARTS / DAMAGE CLAIM INSTRUCTIONS

1. **DO NOT** discard the box or original packaging.
In the case of damaged goods caused by shipping, photo evidence will be required.
2. Take photos of the box & markings.
A photo of the markings (text) on the side of the box is required for all cases in which a replacement part is needed. This helps to identify the item number and ensures the correct parts are pulled.
3. Take photos of damage (if applicable).
A photo of the damaged part(s) is always required to file a claim and expediently process the replacement part. Please make sure you keep the box even if it is damaged.
4. Send an email with the images requested.
Email a description of the claim along with the images required above at displaybuilds.com/contact or directly to help@displaybuilds.com. Call our toll-free number 1-866-308-8368 for further assistance.