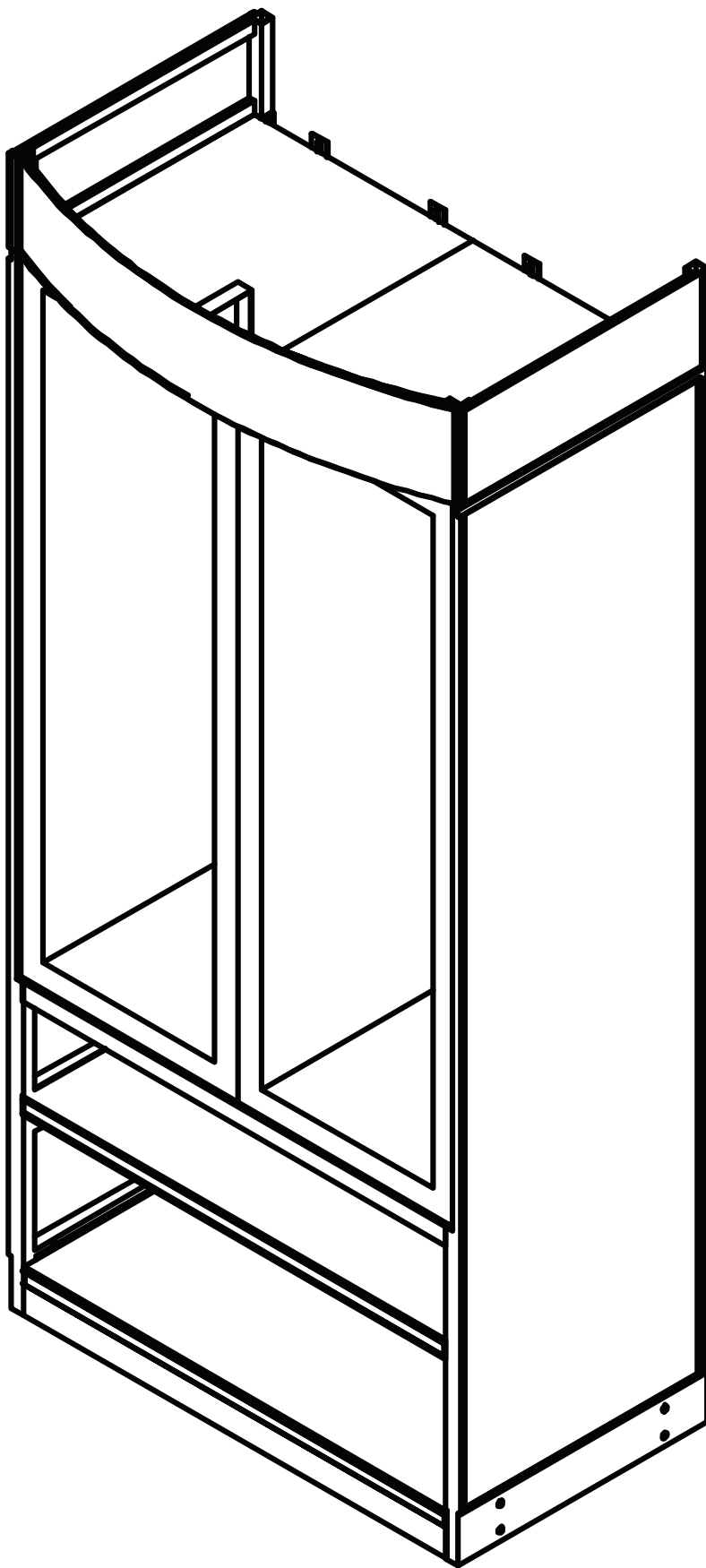
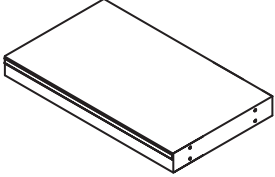
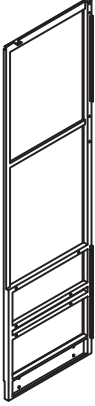

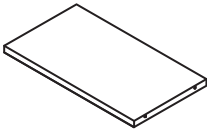
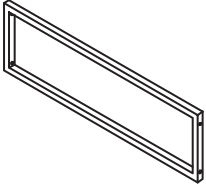
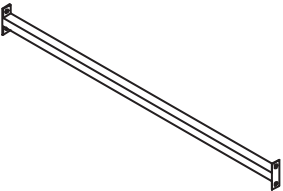
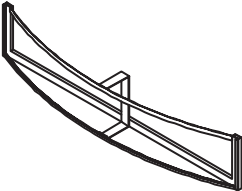
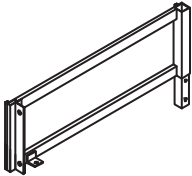
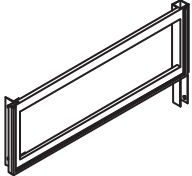
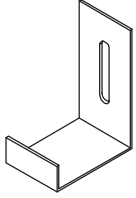
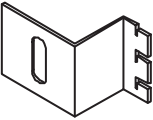
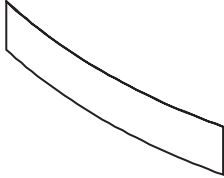
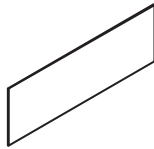
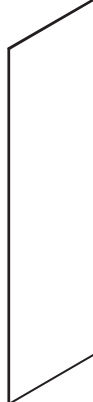
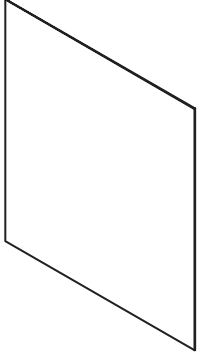
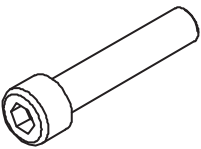
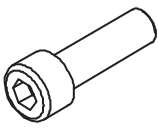
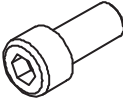
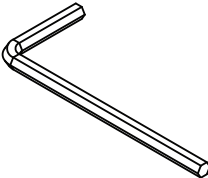
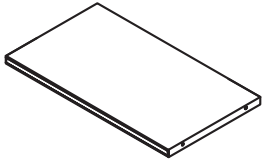


Scan QR or Visit: [displaybuilds.com/instructions\\_20207](https://displaybuilds.com/instructions_20207)



Scan QR or Visit: [displaybuilds.com/instructions\\_20207](https://displaybuilds.com/instructions_20207)

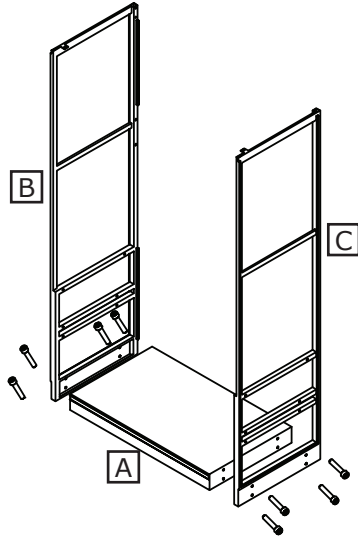


<p><b>A</b></p>  <p>Base 1</p>	<p><b>B</b></p>  <p>Left Side Frame 1</p>	<p><b>C</b></p>  <p>Right Side Frame 1</p>	<p><b>D</b></p>  <p>Cooler Shelf 1</p>	<p><b>E</b></p>  <p>Middle Brace 1</p>
<p><b>F</b></p>  <p>Top Brace 1</p>	<p><b>G</b></p>  <p>Header Frame 1</p>	<p><b>H</b></p>  <p>Left Side Header Frame 1</p>	<p><b>I</b></p>  <p>Right Side Header Frame 1</p>	<p><b>J</b></p>  <p>Cooler Brackets 4</p>
<p><b>K</b></p>  <p>Gondola Brackets 2</p>	<p><b>L</b></p>  <p>Front Header POS 1</p>	<p><b>M</b></p>  <p>Side Header POS 1</p>	<p><b>N</b></p>  <p>Side POS 2</p>	<p><b>O</b></p>  <p>Back Panel 2</p>
<p><b>P</b></p>  <p>M8x40 Bolts 20</p>	<p><b>Q</b></p>  <p>M8x16 Bolts 10</p>	<p><b>R</b></p>  <p>M8x12 Bolts 6</p>	<p><b>S</b></p>  <p>Tool 1</p>	<p><b>T</b></p>  <p>Shelf w/ Channel Slide 1</p>

Scan QR or Visit: [displaybuilds.com/instructions\\_20207](https://displaybuilds.com/instructions_20207)

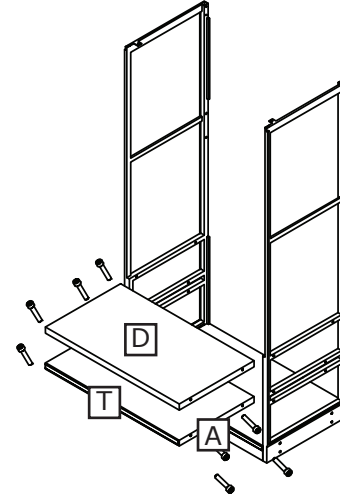


**1** Attach (B) Left Side Frame and (C) Right Side Frame to (A) Base with x8 (P) M8x40 Bolts and tighten with (S) Tool.



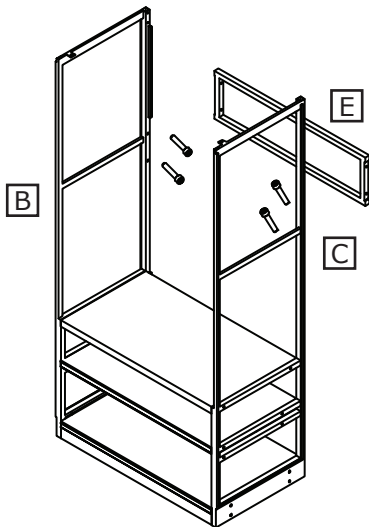
**P**x8

**2** Insert Channel Strip POS into front Channel Slides of (A) Base & (T) Shelf if not preinstalled. Then install (D) Cooler Shelf and (T) Shelf w/ Channel Slide using x4 (P) M8x40 Bolts each and tighten with (S) Tool.



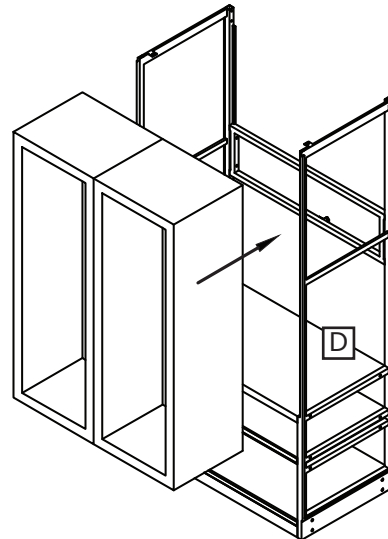
**P**x8

**3** Attach (E) Middle Brace with x4 (P) M8x40 Bolts to back of (B & C) Side Frames and tighten with (S) Tool.

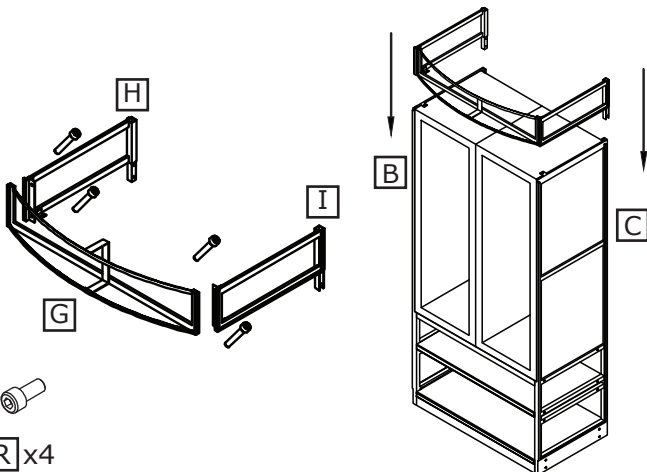


**P**x4

**4** Place Cooler onto the (D) Cooler Shelf.

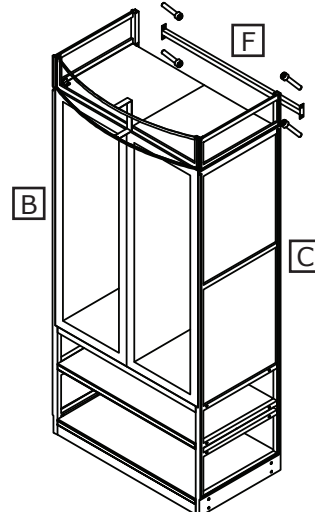


**5** Assemble Header by securing the (H) and (I) Header Side Frames to the (G) Front Header Frame using x4 (R) M8x12 Bolts. Then Place the frame into the slots located at the rear of the (B) and (C) Side Frames.



**R**x4

**6** Install (F) Top Brace onto the rear of the (B) and (C) side frames and use x4 (Q) M8x16 Bolts to secure the Brace and Header Frame to the Side Frames.

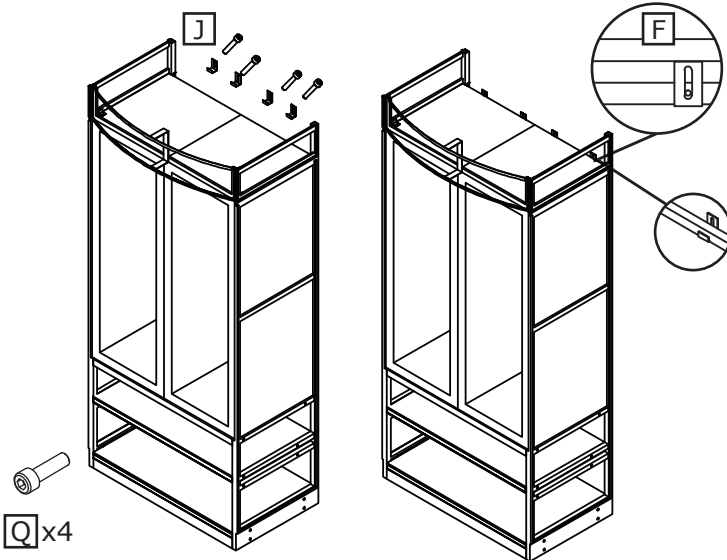


**Q**x4

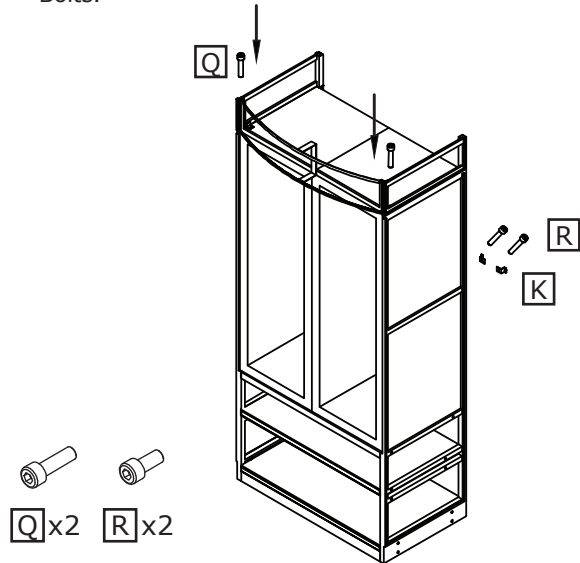
Scan QR or Visit: [displaybuilds.com/instructions\\_20207](https://displaybuilds.com/instructions_20207)



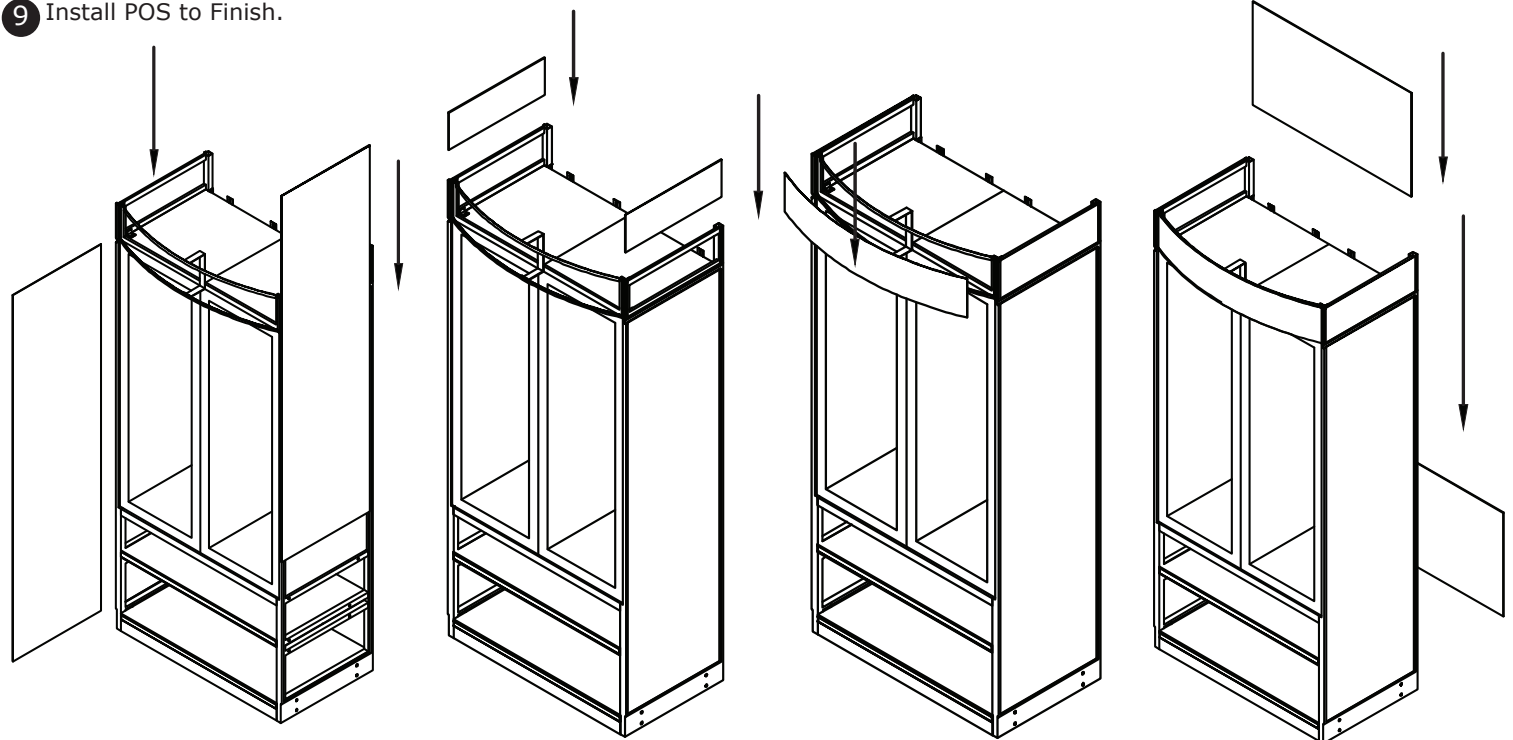
**7** Secure Coolers to the display by hooking the (J) Cooler Brackets onto the coolers. Be sure to line them up with the holes located on the back of the (F) Top Brace and secure each of the x4 Cooler Hooks with one of the x4 (Q) M8x16 Bolts.



**8** Finish securing the Header frame to the Side frames by locating and lining up the tabs on the Side Frames with the Tabs on the Side Headers. Secure using x2 (Q) M8x16 Bolts. Secure (K) Gondola Brackets to the display using x2 (R) M8x12 Bolts.



**9** Install POS to Finish.



**N** SIDE PANEL POS

**M** SIDE HEADER POS

**L** FRONT HEADER POS

**O** BACK PANEL COVERS

## ! MISSING PARTS / DAMAGE CLAIM INSTRUCTIONS

- 1. Keep the box and packaging.** If items are damaged during shipping, photo evidence is required.
- 2. Photograph the box and markings.** Include a photo of the text on the box for all replacement part requests to ensure accurate identification.
- 3. Photograph the damage.** Photos of the damaged parts are required to process claims and expedite replacements. Retain the box, even if damaged.
- 4. Email your claim.** Send a description and the required photos to [displaybuilds.com/contact](https://displaybuilds.com/contact) or [help@displaybuilds.com](mailto:help@displaybuilds.com).